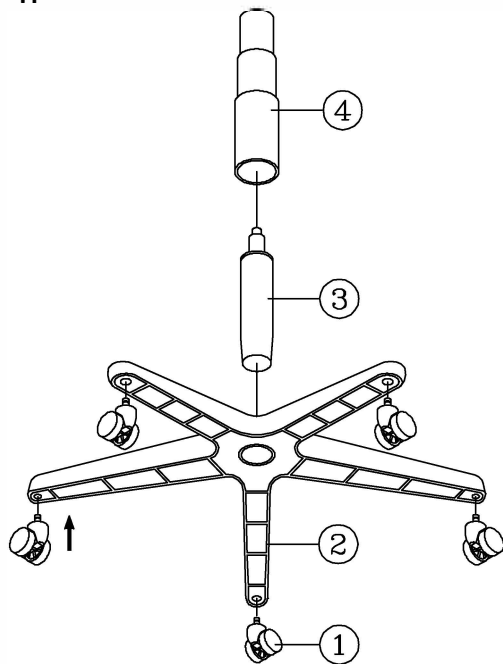


Remove all items from the carton . Verify all pieces before assembly.

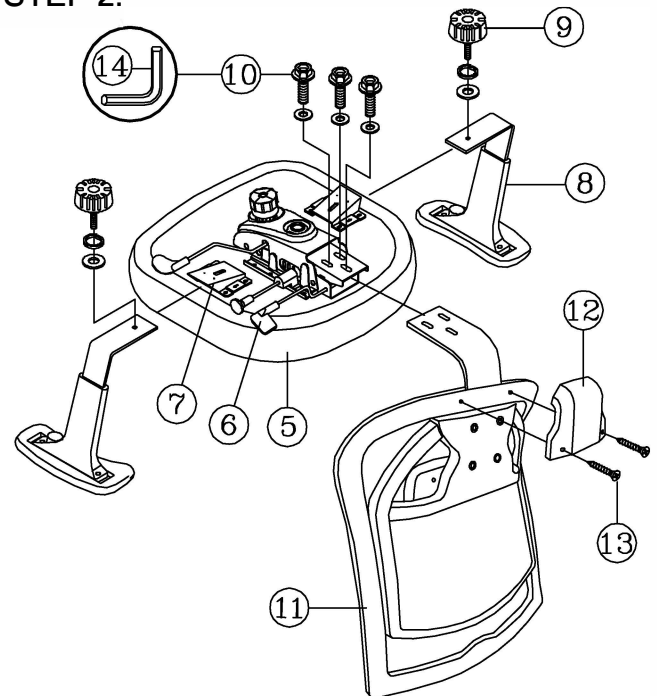
PARTS LIST

| KEY QTY | DESCRIPTION | KEY QTY | DESCRIPTION | KEY QTY | DESCRIPTION |
|---------|-------------|-----------------|-------------|---------|-------------------------------------|
| 1 | 5 | Caster | 6 | 1 | Mechanism |
| 2 | 1 | Base | 7 | 2 | Arm Bracket |
| 3 | 1 | Seat Post | 8 | 2 | Armrest |
| 4 | 1 | Seat Post Cover | 9 | 2 | Arm Width Adjustment Knob + Washers |
| 5 | 1 | Seat | 10 | 3 | Back Bolt + Washer |
| | | | 11 | 1 | Backrest |
| | | | 12 | 1 | Back Post Bellow |
| | | | 13 | 2 | Back Post Bellow Screw |
| | | | 14 | 1 | M5 Size Allen Wrench |

STEP 1.



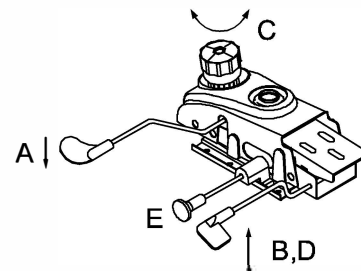
STEP 2.



STEP 3.



MEHB3



MECHANISM INSTRUCTIONS :

- (A) SEAT HEIGHT ADJUSTMENT : Pull lever up and downward. Release lever when desired position is reached.
- (B) BACK TILT ADJUSTMENT : Turn the lever up, move backrest to tilt. To lock in position, turn lever down.
- (C) TILT TENSION ADJUSTMENT KNOB : Rotate knob clockwise / counterclockwise to adjust tilt tension based on body weight.
- (D) TILT LOCK : Lock and releases switch of synchronized tilt with 3-position stop.
- (E) Pull handle bar out, allows seat to slide forward and backward. Release handle bar to lock desired seat position.

PREVENTIVE MAINTENANCE AND WARNING!

- USE THIS PRODUCT ONLY FOR SEATING ONE PERSON AT A TIME.
- DO NOT USE THIS CHAIR AS A STEP STOOL / LADDER.
- DO NOT SIT ON ANY PART OF THE CHAIR EXCEPT THE SEAT.
- DO NOT USE CHAIR ON UNEVEN FLOOR SURFACES.
- DO NOT USE CHAIR UNLESS ALL BOLTS, SCREWS AND KNOBS ARE TIGHTENED.
- EVERY SIX MONTHS, PLEASE MAKE SURE ALL BOLTS, SCREWS AND KNOBS ARE FULLY TIGHTENED TO ENSURE STABILITY.
- IF ANY PARTS ARE MISSING, BROKEN, DAMAGED OR WORN, STOP USE OF THE PRODUCT UNTIL REPAIRS ARE MADE USING FACTORY AUTHORIZED PARTS.
- DISPOSE OF PACKAGING PROPERLY. PLASTIC BAG IS NOT A TOY. DO NOT USE PLASTIC BAG AS HEAD COVERING - IT MAY CAUSE SUFFOCATION.
- FAILURE TO FOLLOW THESE WARNINGS COULD RESULT IN SERIOUS INJURY.
- NOTE: SOME SCREWS MAY BE PREASSEMBLED. IF PREASSEMBLED, IGNORE ASSEMBLY INSTRUCTIONS.