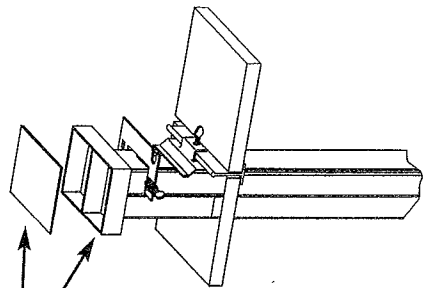


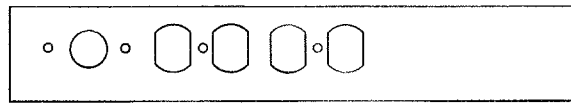
ENWORK

Grid Powerpole Installation Instructions

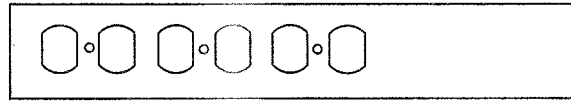
TPB



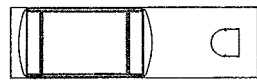
AMTDP-L
250TP



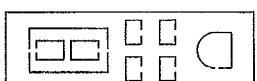
AMTDP-A
250TP-A
(1.40" [35.56mm])



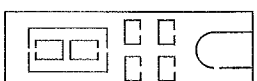
AMTDP-B
250TP-B



AMTC-ACT
250TC-ACT



250TC-CVR



AMTC-CVR



Wiremold

WIREMOLD

U.S. and International:

60 Woodlawn Street • West Hartford, CT 06110

1-800-621-0049 • FAX 860-232-2062 • Outside U.S.: 860-233-6251

Canada:

570 Applewood Crescent • Vaughan, Ontario L4K 4B4

1-800-723-5175 • FAX 905-738-9721



Wiremold

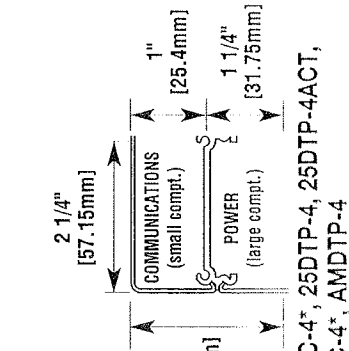
25DTC/AMTC & 25DTP/AMTP Series Tele-Power® Poles

INSTALLATION INSTRUCTIONS

Installation Instruction No. 41573R3 - Updated March 2012

Legrand/Wiremold electrical systems conform to and should be properly grounded in compliance with requirements of the current National Electrical Code or codes administered by local authorities.

All electrical products may present a possible shock or fire hazard if improperly installed or used. Legrand/Wiremold electrical products may bear the mark of a Nationally Recognized Testing Laboratory (NRTL) and should be installed in conformance with current local and/or the National Electrical Code.



25DTC-4*
AMTC-4* 25DTP-4
AMDTP-4

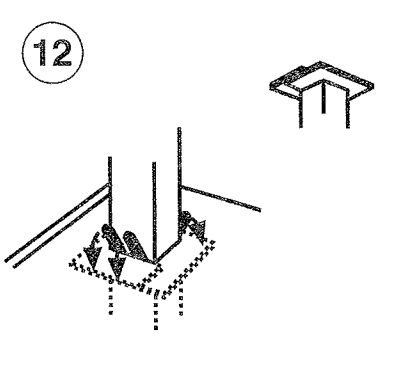
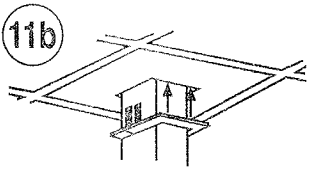
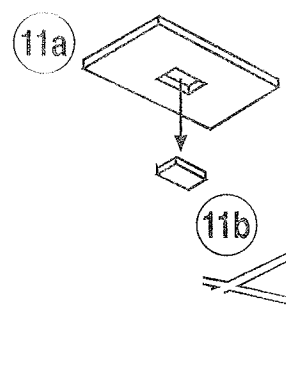
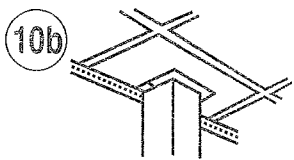
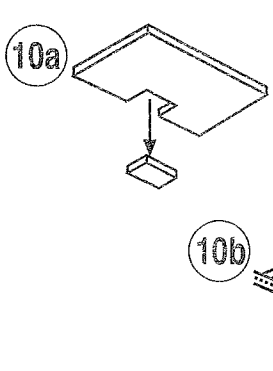
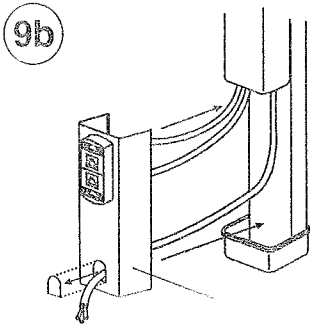
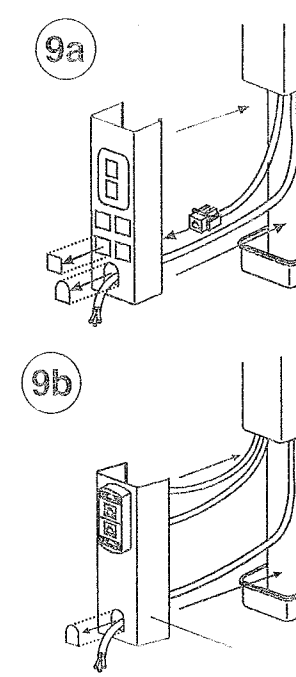
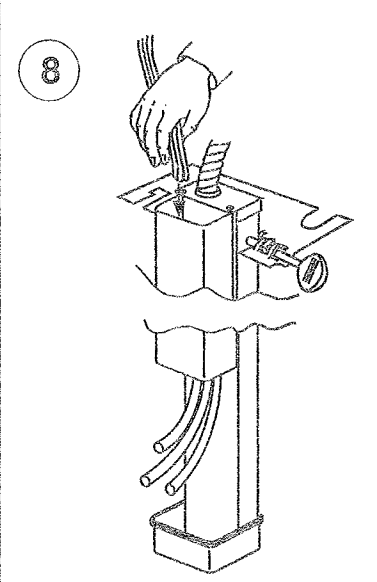
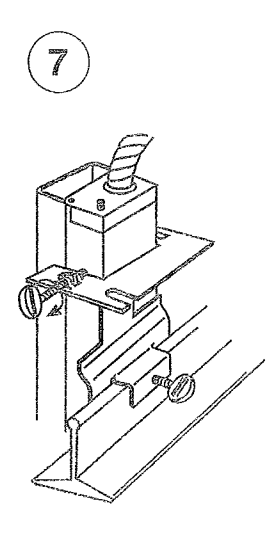
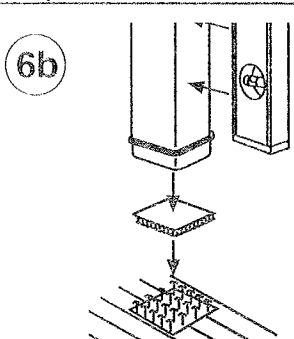
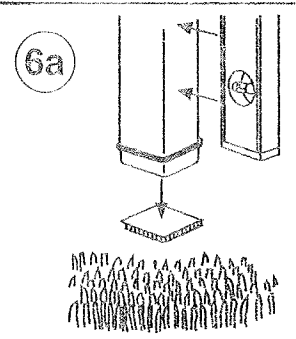
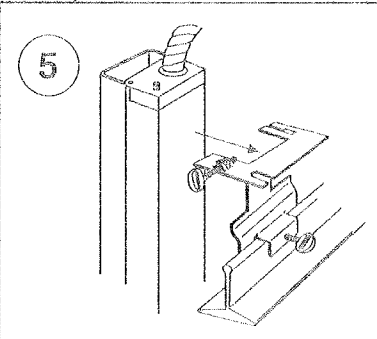
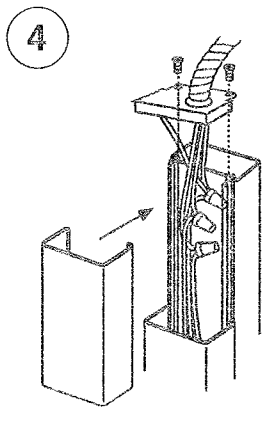
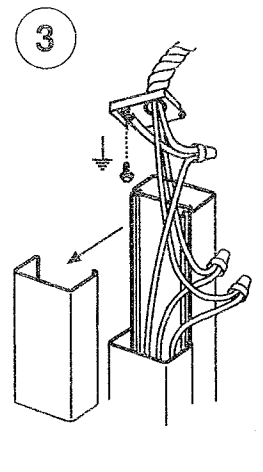
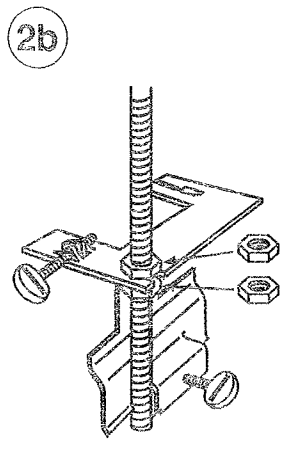
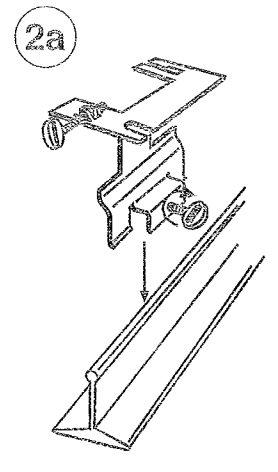
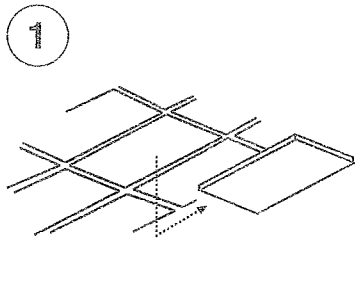
RACEWAY WIRE AND CABLE FILL CAPACITIES FOR TELE-POWER POLES - POWER

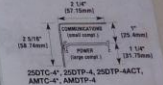
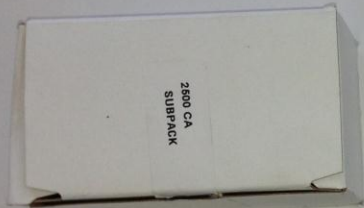
Cable Type	Cable Wire/Size Description	O.D. (inches)	O.D. (mm)	AMTDP Series 40% FILL	25DTP Series 40% FILL	AMTC & 25DTC Series* Small Compl. 40% FILL	AMTC & 25DTC Series* Large Compl. 40% FILL
THIN - THWN	10 AWG	0.16	4.17	10	10	34	44
	12 AWG	0.13	3.30	15	15	54	69

RACEWAY WIRE AND CABLE FILL CAPACITIES FOR TELE-POWER POLES - COMMUNICATIONS

Cable Type	Cable Wire/Size Description	O.D. (inches)	O.D. (mm)	AMTDP Series 20% FILL	25DTP Series 20% FILL	AMTC & 25DTC Series* Small Compl. 20% FILL	AMTC & 25DTC Series* Large Compl. 20% FILL
Unshielded	Cat. 5 UTP	0.22	5.59	10	10	19	26
	Cat. 3 UTP	0.19	4.83	13	13	25	35
Twisted Pair	2 Pair	0.14	3.56	23	23	47	64
	3 Pair	0.15	3.81	20	20	41	56
	4 Pair	0.19	4.83	13	13	25	35
	25 Pair	0.41	10.41	3	3	5	7
Coaxial	RG58U	0.20	4.95	12	12	24	33
	RG59U	0.24	6.15	8	8	16	21
	RG62U	0.24	6.15	8	8	16	21
	RG8U	0.27	6.86	6	6	13	17
Fiber Optic	100 Core	0.33	8.33	4	4	8	12
	Type 1 STP	0.39	9.91	3	3	6	8
	Type 2 STP	0.47	11.81	2	2	4	6
Fiber Optic	Type 3 STP	0.25	6.32	8	8	15	21
	Fiber Z6Coax	0.11	2.79	38	38	75	104
	Round Fiber 2 Strand	0.18	4.57	14	14	28	39
	Round Fiber 4 Strand	0.19	4.83	13	13	25	35
	Round Fiber 6 Strand	0.21	5.33	10	10	21	29

* 25DTC/AMTC Series not intended for combining power and communications in the same channel.





Model	Cable Wire Size	W.D.	AMPT
250TC	18 AWG	2.00	475
250TP	18 AWG	2.13	300

AMPT vs. Cable Size Chart

Cable Size	Cable Wire Size	W.D.	AMPT
18 AWG	18 AWG	2.00	475
20 AWG	20 AWG	1.75	300
22 AWG	22 AWG	1.50	150
24 AWG	24 AWG	1.25	75

* 250TC/AMTC Series not intended for signaling power and/or