

# ENWORK

## **Topper Screen and Gasket Installation Instructions**

# TOPPER SCREEN & GASKET INSTALLATION

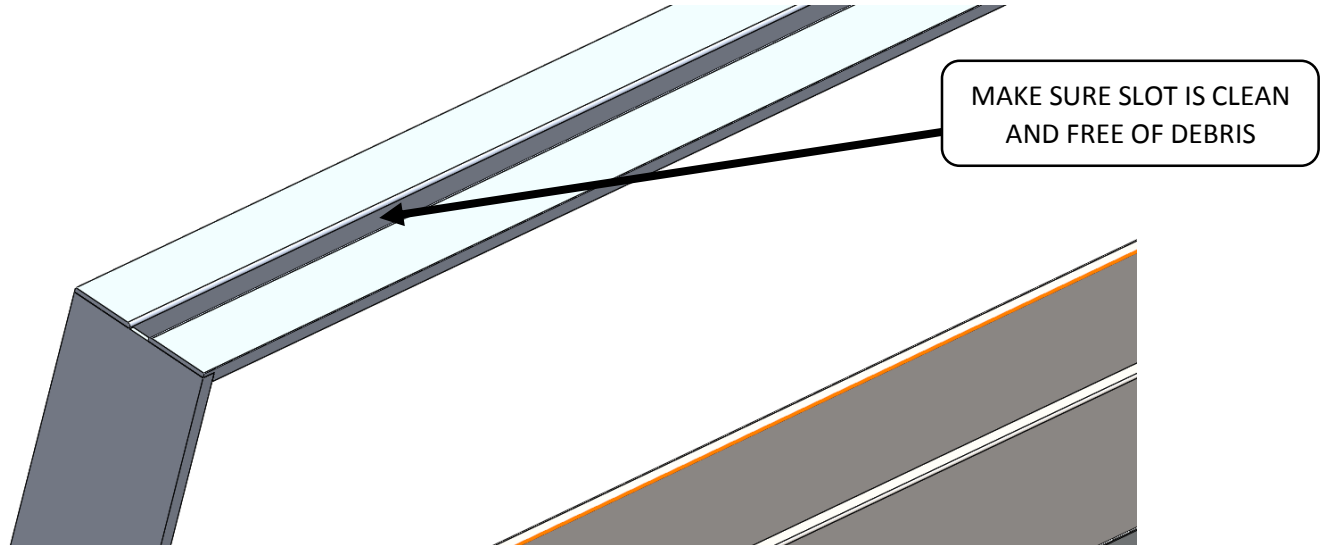
## TOOLS & HARDWARE REQUIRED:



- SPRAY BOTTLE WITH SLIGHTLY SOAPY WATER SOLUTION
- GLOVES IF INSTALLING GLASS TOPPER SCREENS
- DRY SOFT CLOTH TO WIPE UP EXCESS SOAPY WATER
- TWO PEOPLE ARE NEEDED IF INSTALLING GLASS TOPPER SCREENS

## STEP 1:

Topper Screens are installed after the Grid workstations are otherwise fully assembled. Make sure all fasteners are tight and the Top Cap slot is free of debris.



## STEP 2:

Insert the Topper Screen into the grey gasket, assuring the Topper Screen is centered in the gasket. If the Topper Screen is glass, two people are required for this step.

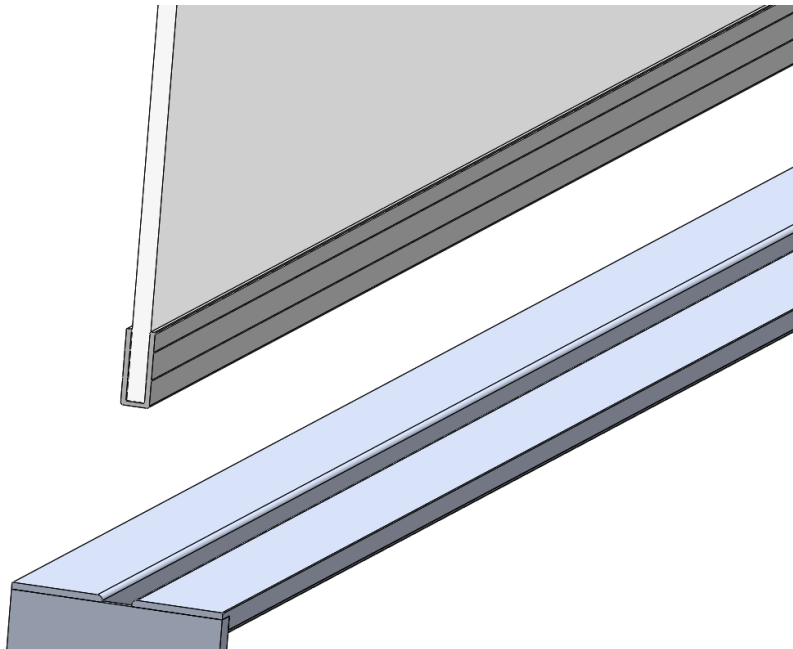
**STEP 3:**

Spray or wipe the slightly soapy water solution all along the Top Cap slot. Use just enough that the surface is damp without any puddles.

**STEP 4:**

Center the Topper Screen/gasket assembly end-to-end on the Grid Frame. Carefully push down until the Topper Screen assembly is fully seated into the Top Cap slot.

*Note:* If correctly installed, the Topper Screen will be level and the top of the gasket will be just below the surface of the Top Cap.



**STEP 5:**

Wipe any excess soapy water from the Top Cap and Topper Screen.