

FLIP - N - GO

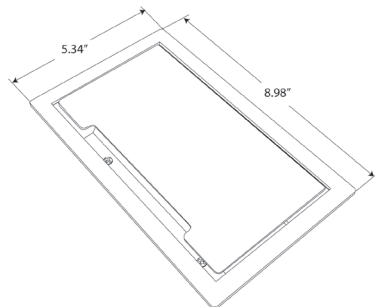
Flip-n-Go is a simple solution for providing power and data above the worksurface, ideal for small conference areas and meeting rooms.

Details

- Provides two power receptacles and a multiple-connection telecom plate
- Includes 6-foot or optional 9-foot power cord
- 15A 125V circuit breaker
- Convenience power receptacle on underside of unit for linking with other units
- Telecom plates available with multiple connections including HDMI, HDVGA, RJ45, Cat6 data, RJ11, DVI, Mini Stereo, and USB
- Available in black or silver powder coat
- Hardwire option
- UL Listed

Recommended Table Cutout:

4.75" x 8.38"



1.800.815.7251
www.enwork.com

Specifications subject to change without prior notice.

Rev 05.2018