

AMBITION SLIDING TOPS

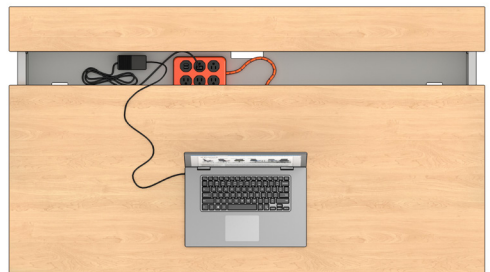
Complete with the Solano VT-Series electric height-adjustable base, Ambition sliding tops provide easy access at any height.

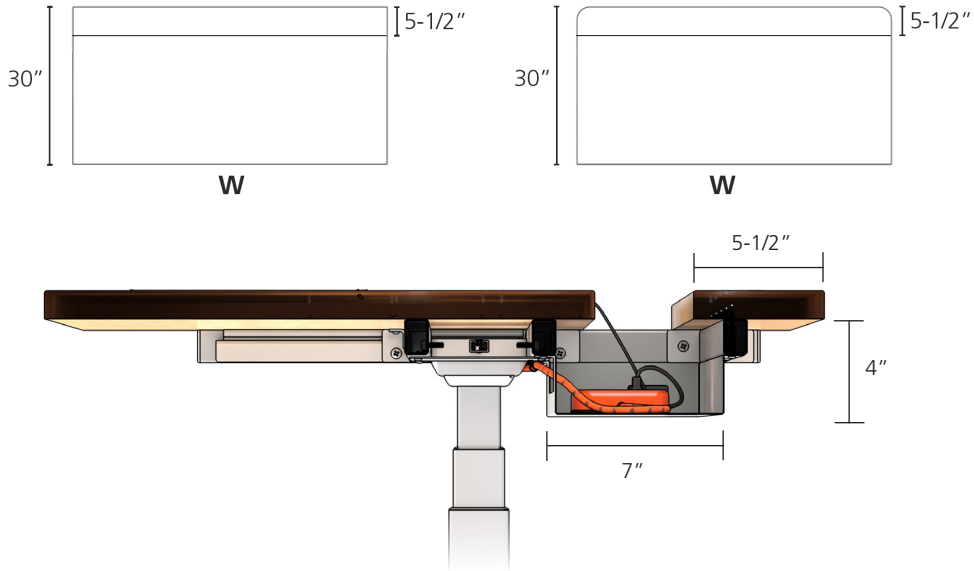
Sliding Tops

- Rectangular laminate top with 3mm edge
- 30"D available 48", 60" or 72"W
- Actual depth and width are 1-1/2" and 1-1/8" less than nominal
- Trough is 7"D and 4"H, accessible by sliding the front of the top toward the user
- Available with rounded rear corners to accommodate Ambition painted curved corner screens

Solano VT-Series Base

- Electric height-adjustability
- Adjustment range of 24"-49.5" high (with top)
- 220 lbs load capacity
- Bosch electric motor in each leg
- Adjusts 1.4" per second
- Includes programmable handset with 3 preset buttons and Logic Date controller with range limiting capability





Top Laminate Options



Base Powdercoat Options



1.800.815.7251
www.enwork.com

Specifications subject to change without prior notice.

Rev 05.2018