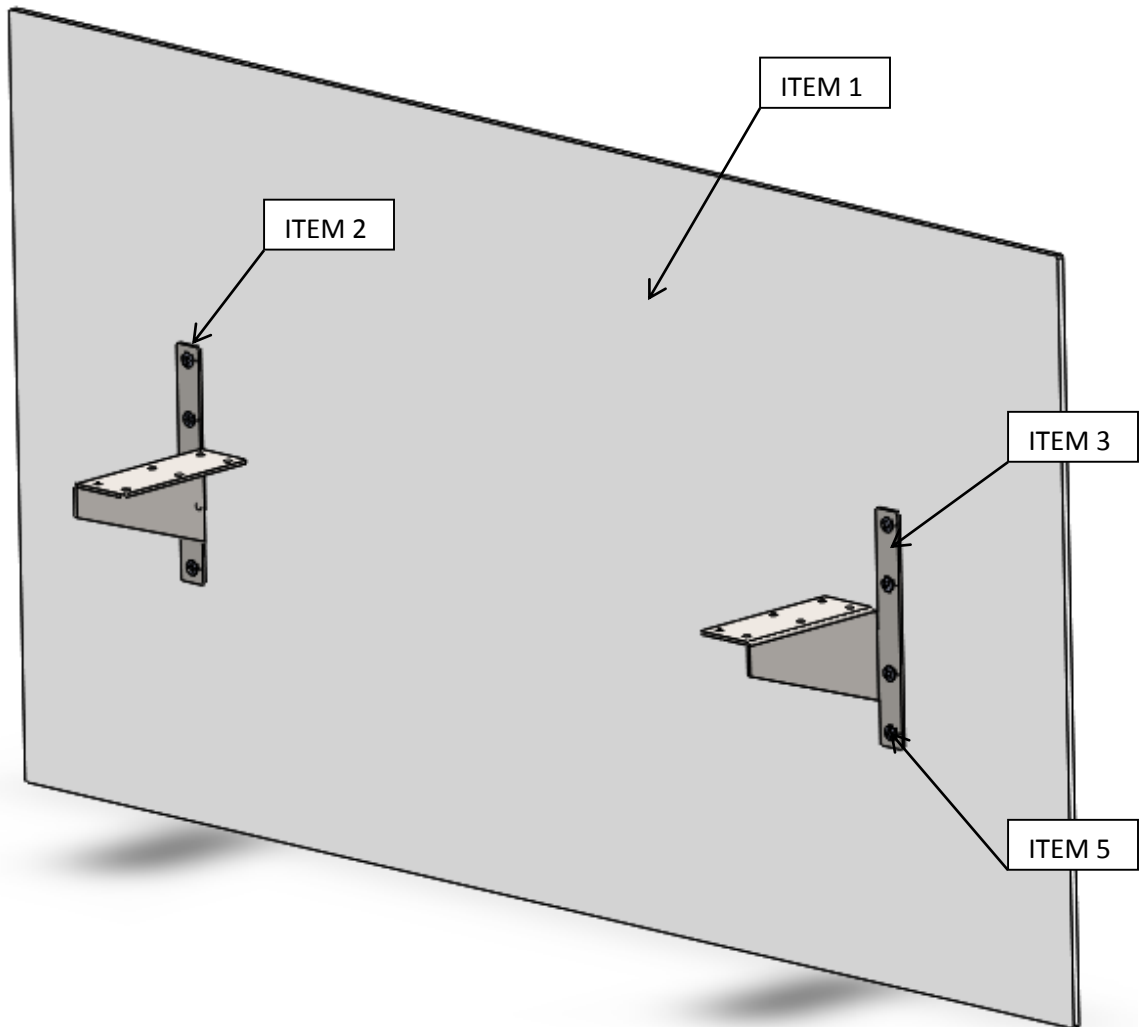


# ENWORK

## **Acrylic All-in-One Privacy/Modesty Screen Assembly Instructions**

## ASSEMBLY INSTRUCTIONS

### Acrylic All-in-One Privacy/Modesty Screen



**All-in-One Privacy/Modesty Screen acrylic shown for clarity.**

- 1) Assemble item 3 clamp bracket inside right hand to item privacy screen and item 4 outer mounting plate with item 4 outer mounting plate using (4) item 5 flathead screws.
- 2) Repeat process for item 2 clamp bracket inside left hand to item 1 privacy screen and item 4 outer mounting plate using (4) item 5 flathead screws.

- 3) Secure inner mounting bracket between table legs to underside of table top using (12) number 1 screws included in hardware pack.

