

ENWORK

eBENCH END PANEL
INSTALLATION GUIDE

BENCHING



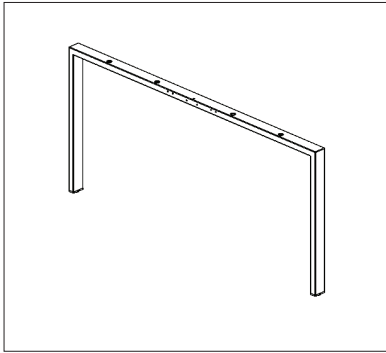
E I 0 0 1 1

EI0011 – eBench End Panel Installation Guide – Rev A

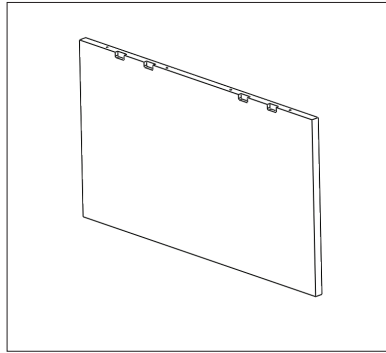
ENWORK

INSTALLATION GUIDE

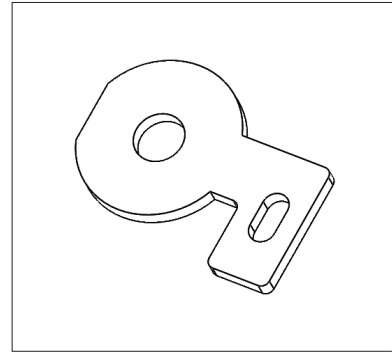
1) PARTS AND FASTENERS INCLUDED



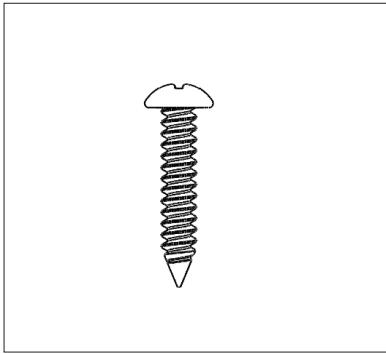
End Base



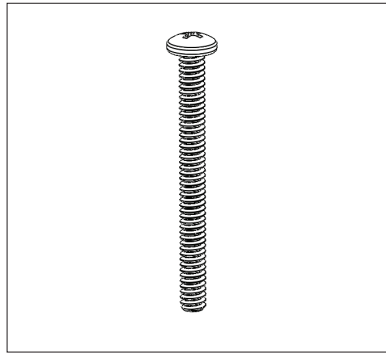
End Panel



EBM-1335 Bracket

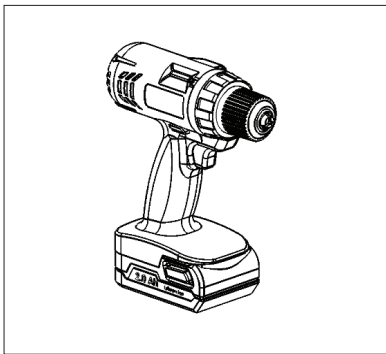


#10x 1" Panhead Screw

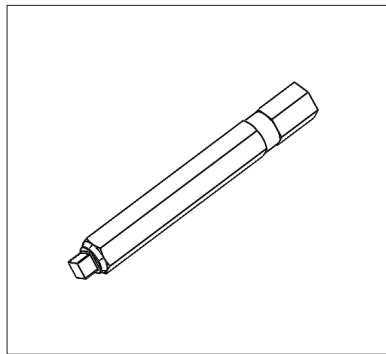


10-24x 2" Phillips Bolt

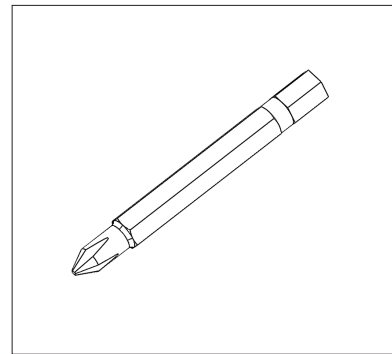
2) TOOLS AND SUPPLIES REQUIRED



Power Drill



#2 Square Bit



Phillips Bit

ENWORK

INSTALLATION GUIDE

3) ASSEMBLY:

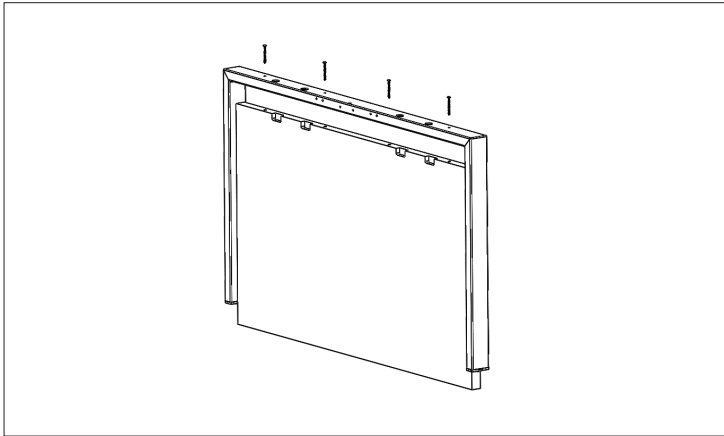


FIGURE 1

Take the End Panel and slide it between the Legs. Use the 2" Phillips screws to attach the two together.

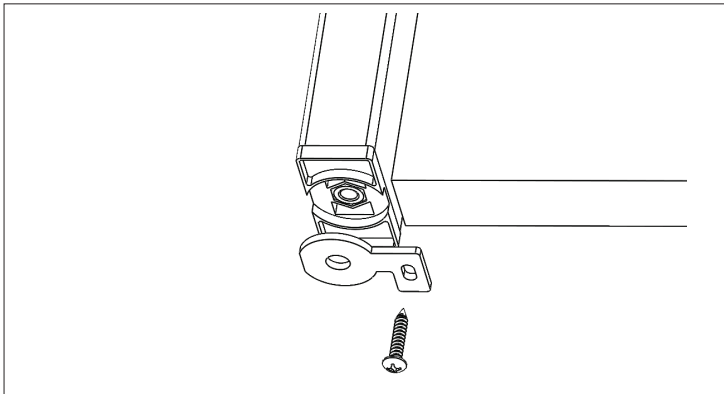


FIGURE 2

Remove the levelers from the bottom of the legs. Place the EBM-1335 bracket into the leveler hole and secure with the provided #10 screw.

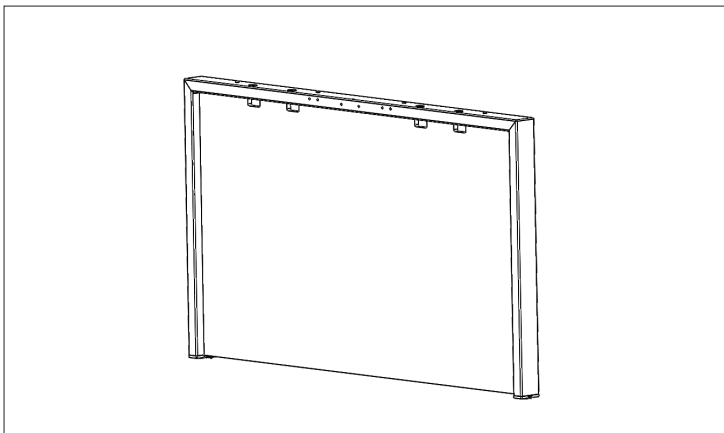


FIGURE 3

Reinstall the leveler and repeat until all End Panels have been installed.

ENWORK

1.800.815.7251

www.enwork.com

12900 Christopher Dr. Lowell, MI 49331

Specifications subject to change without notice.

Rev 04.2020