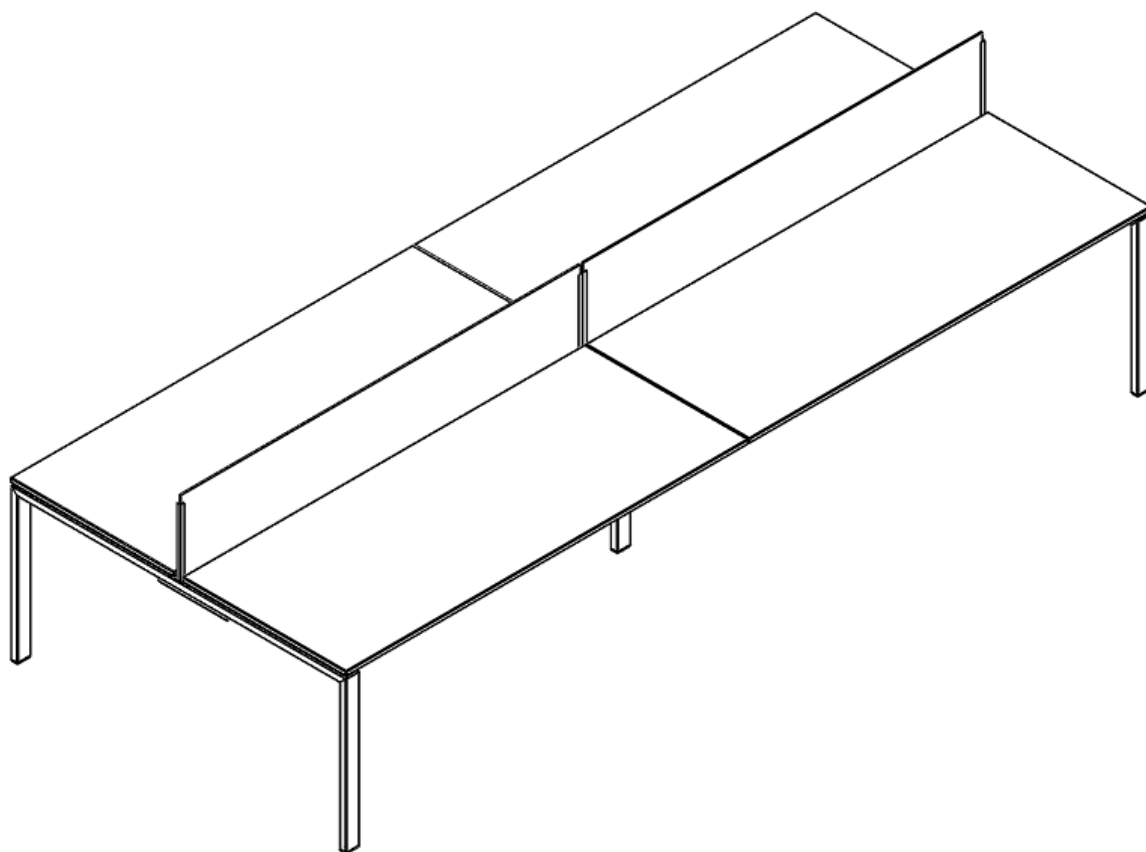


# ENWORK

Z 7 : C 8 = ° I 6 A A ° H 8 G : : C °  
> C H I 6 A A 6 I > D C ° < J > 9 :

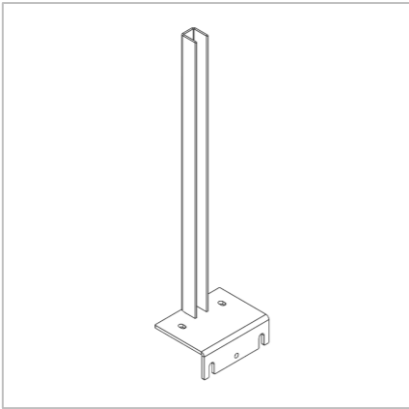
7 : C 8 = > C <



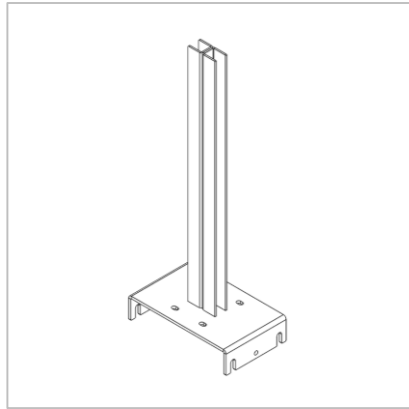
: > % % & %

: %&% 'Z7cX] 1 VailHXgZch'èchiVail'èc'<j 'YZ' 'GZk'7

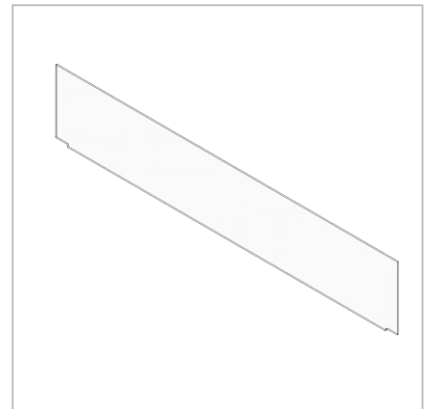
1) PARTS AND FASTENERS INCLUDED



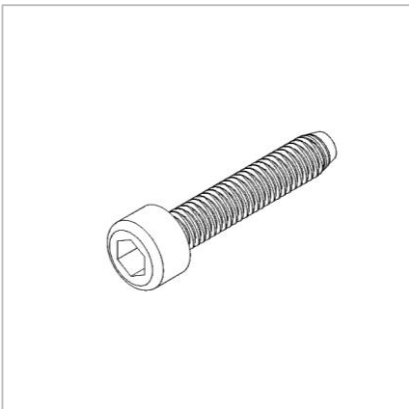
END  
BRACKET  
EBM-2160



MID  
BRACKET  
EBM-2159



EBTA22  
SCREEN

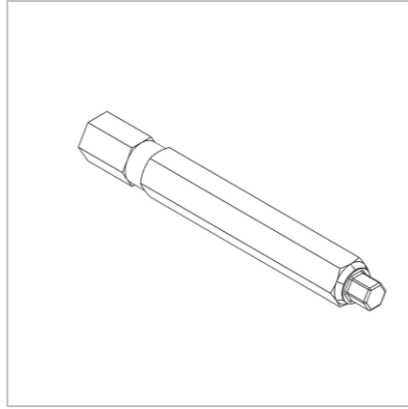


M6-1 x 30mm Tri Lobe Screw

2) TOOLS AND SUPPLIES REQUIRED



DRILL/SCREWDRIVER



M6 ALLEN DRIVER BIT

**3 ) A S S E M B L Y :**

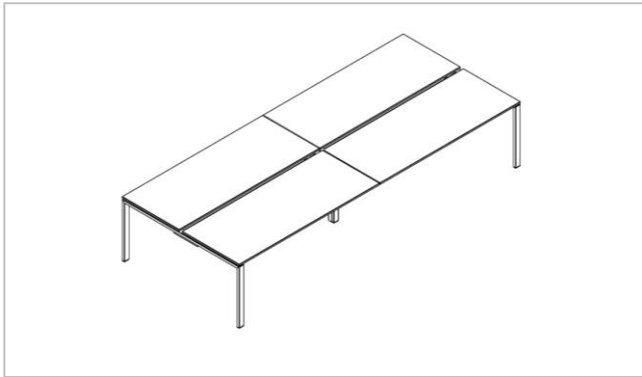


FIGURE 1

Start with the completed eBench table assembly (Fig 1)

If this is not build yet, reference Installation Guide EI0003.

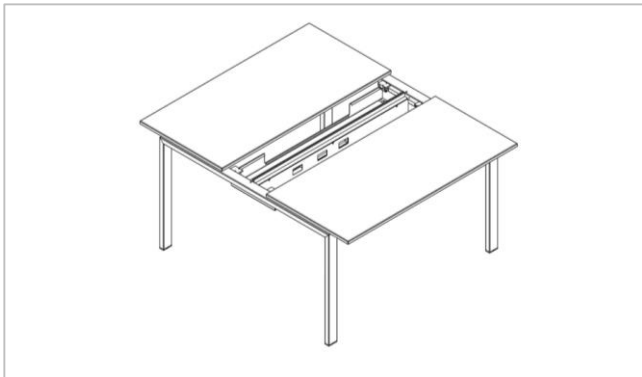


FIGURE 2

Slide the tops out as far as possible. (Fig 2)

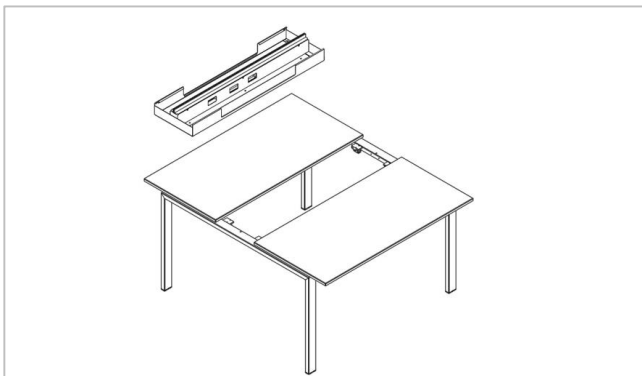


FIGURE 3

Remove the wire troughs to gain access to the bracket holes in the table legs. (Fig 3)

## 3) ASSEMBLY :

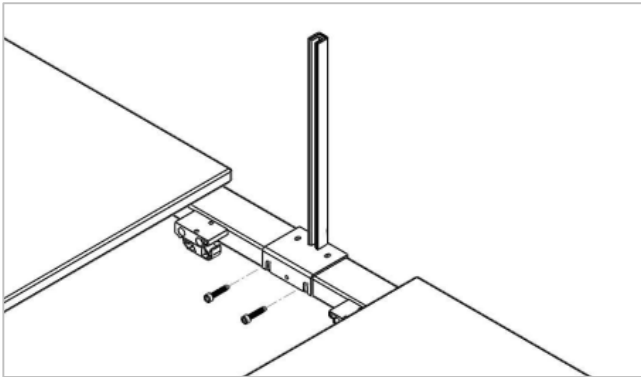


FIGURE 4

Place the End Brackets on the end of the table, Attach using the M6 screws. (Fig 4)

Repeat for the other end of the table.

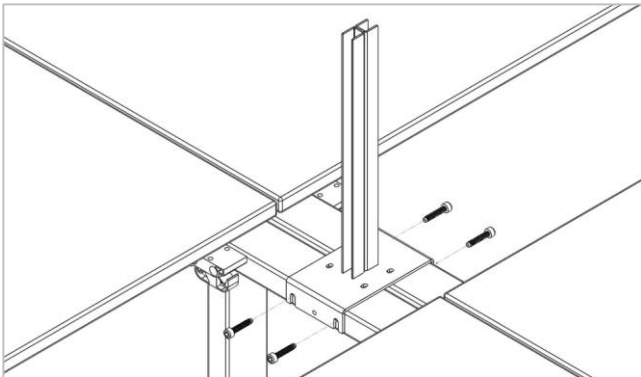


FIGURE 5

Place the Mid Brackets at the joint of the tables. Attach using the M6 screws. (Fig 5)

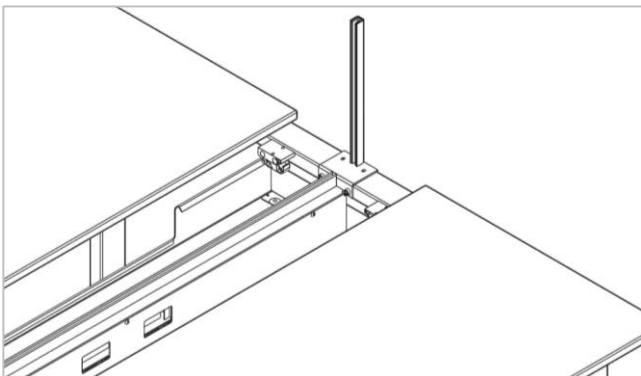


FIGURE 6

Re-clip the troughs to the bottom of the table. (Fig 6)

3 ) A S S E M B L Y :

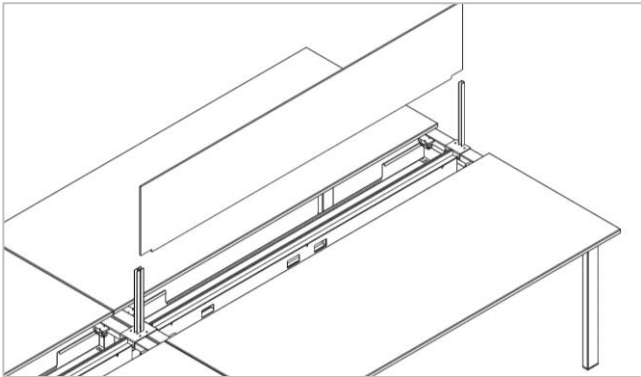


Fig 7

Slide the Screens into the slots on the End and Mid Bracket. (Fig 7)

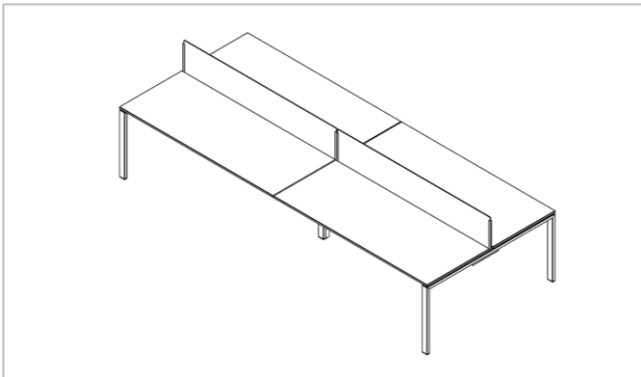


Fig 8

Slide the tops back into closed position. (Fig 8) Assembly complete.

# ENWORK

1.800.815.7251  
[www.enwork.com](http://www.enwork.com)  
12900 Christopher Dr. Lowell, MI 49331

Specifications subject to change without notice.  
Rev 10.2021