

ENWORK

e BENCH - SINGLE SIDED
ASSEMBLY INSTRUCTIONS

OPEN PLAN BENCHING



E I 0 0 0 8

eBench Single Sided Installation Instructions – Rev A

WARNING:

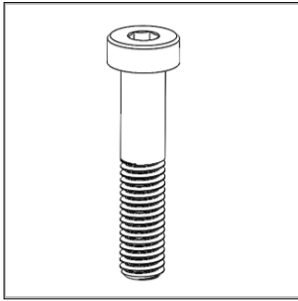
Acrylic screens scratch and scuff easily. After removing protective film, immediately and carefully install the screen.

DO NOT remove protective film from acrylic screens, then stack them in a pile or against each other. Experience shows this will cause marring and scratching.

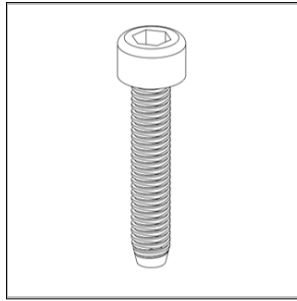
ENWORK

INSTALLATION GUIDE

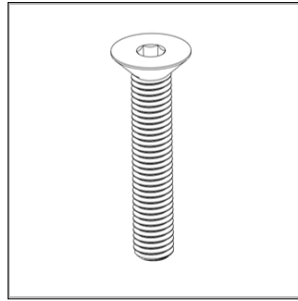
1) PARTS AND FASTENERS INCLUDED



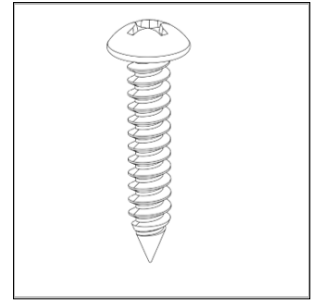
M8-1.25 x 40mm Socket Head



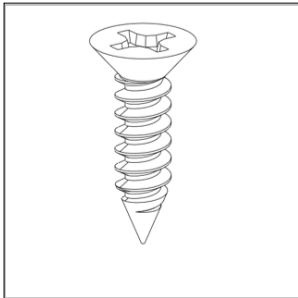
M6-1.0 x 30mm Tri Lobe Bolt



M8-1.25 x 45mm Flathead Bolt



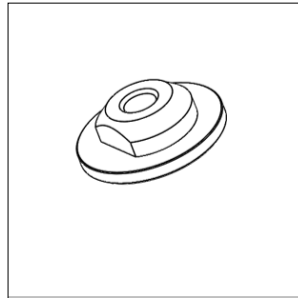
#10 - Panhead Phillips



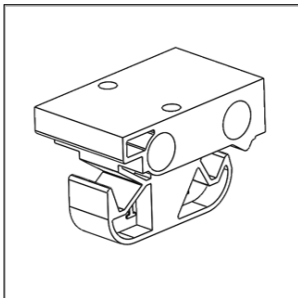
#8 x 0.625 Flathead Phillips



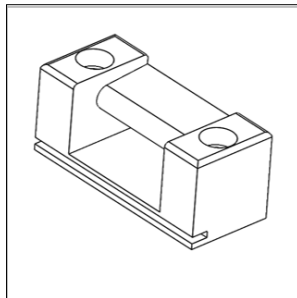
EBF1



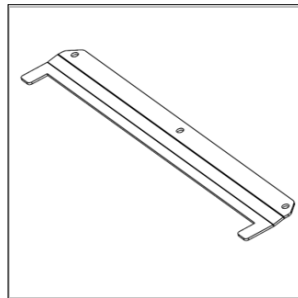
EBF2



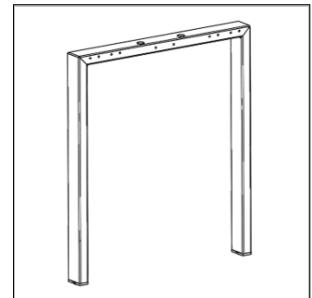
EBF6



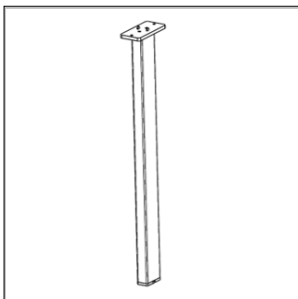
EBF3



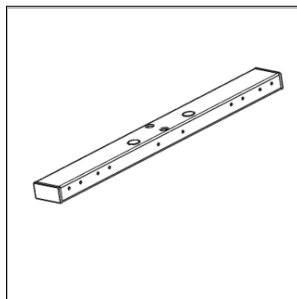
EBRAIL



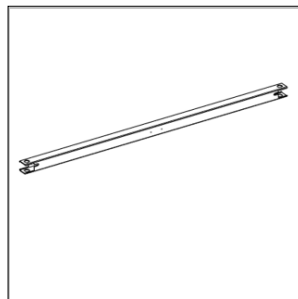
EBEE



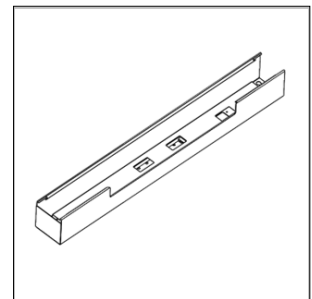
EBSL



EBDD



EBCB

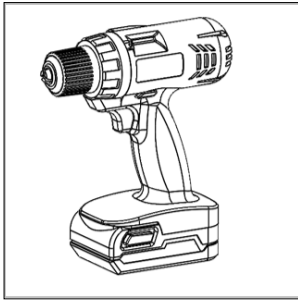


EBT

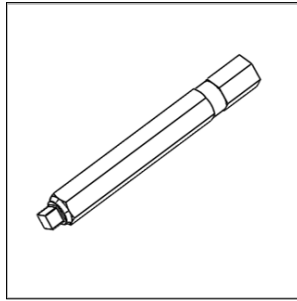
ENWORK

INSTALLATION GUIDE

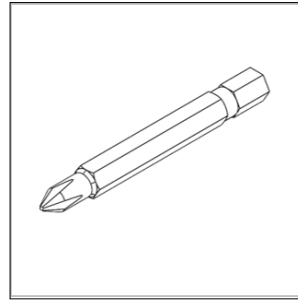
2) TOOLS AND SUPPLIES REQUIRED



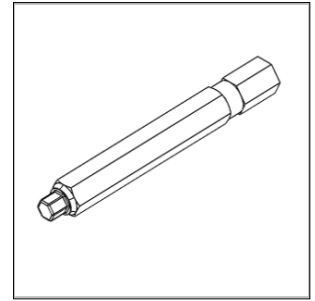
Screwdriver



Square Driver Bit

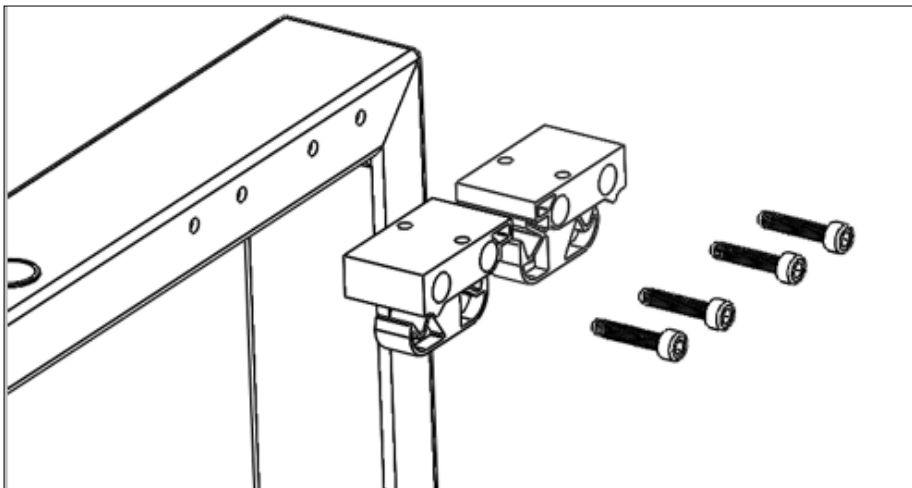


Phillips Driver Bit



Allen Driver Bits

3) ASSEMBLY: SINGLE SIDED EBENCH



Assemble the End Leg and to the EBF6's with the provided Tri Lobe Bolts. Two EBF6s should go on each End Leg.

FIGURE 1

ENWORK

INSTALLATION GUIDE

3) ASSEMBLY: SINGLE SIDED EBENCH CONT. 1

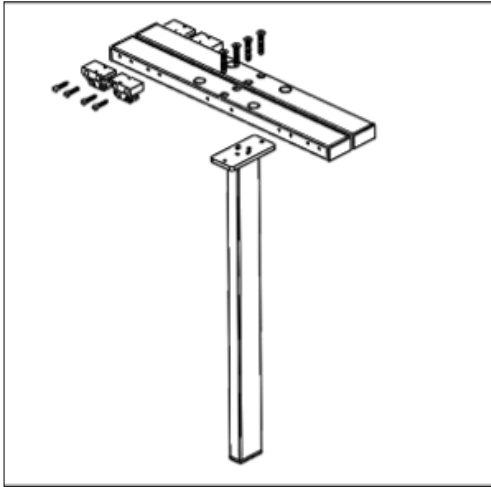


FIGURE 2

Assemble the Mid Leg by attaching the EBSL to the two EBDD's using the M8 Flathead bolts. Attach the EBF6's to both sides with the provided Tri Lobe Bolts.

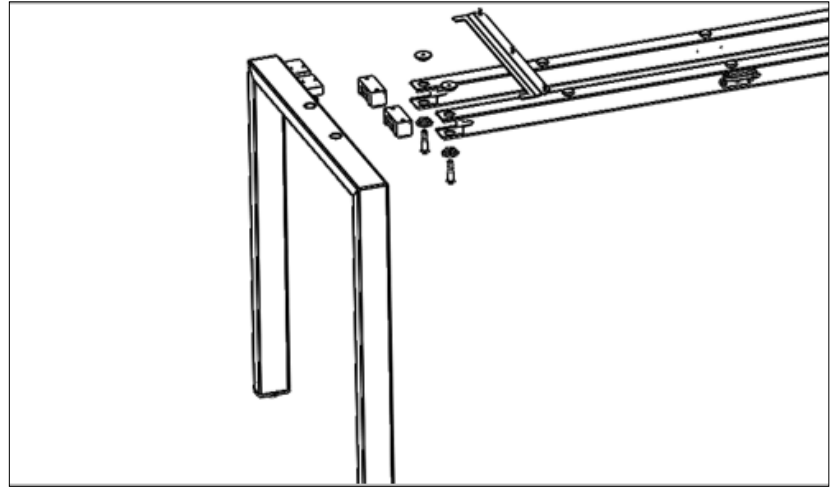


FIGURE 3

Insert the EBF3 into the EBCB and slide them onto the EBEE. The EBF1 and EBF2 serve as the washers on the outside of the EBDD. The M8-1.25 x 40mm Sockethead bolt goes through the EBF1, the EBEE, the EBDD and then the EBF2.

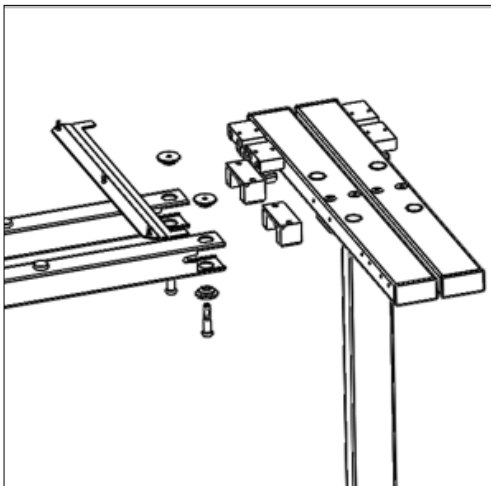


FIGURE 4

In the same order as Figure 3, attach the Mid Leg to the EBCB's.

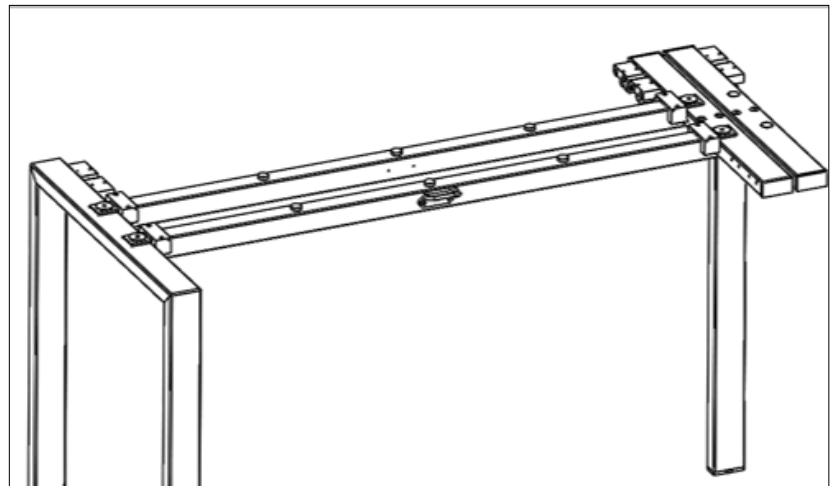


FIGURE 5

Once all the bolts are installed the table should look like Figure 5.

ENWORK

INSTALLATION GUIDE

3) ASSEMBLY: SINGLE SIDED EBENCH CONT. 2

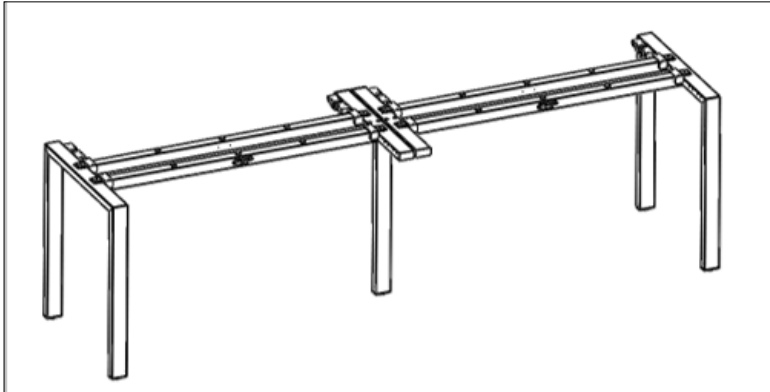


FIGURE 6

Continue to use the same method and install all the legs to finish the table base.

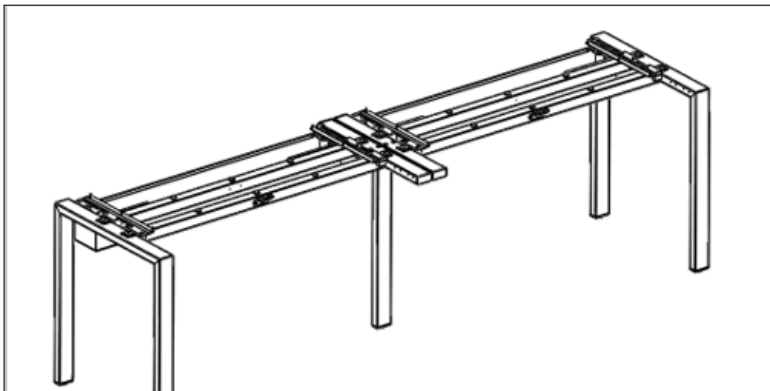


FIGURE 7

Hang the troughs in the back from the rear EBF3 hooks.

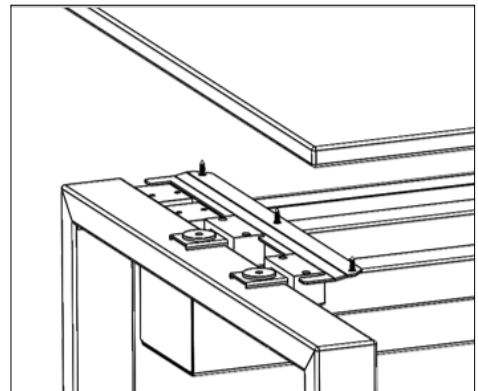


FIGURE 8

Install the EBRAIL's to the tops in the predrilled locations.

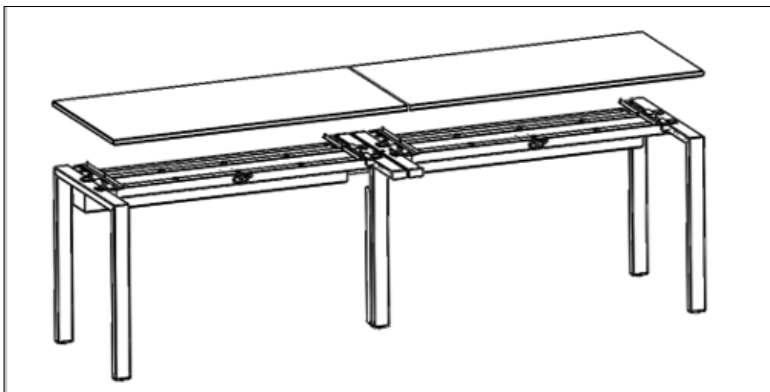


FIGURE 9

Slot the brackets into the EBF3 parts so that the tops can slide on the EBRAIL's and EBF3's.

ENWORK

1.800.815.7251

www.enwork.com

12900 Christopher Dr. Lowell, MI 49331

Specifications subject to change without notice.

Rev 02.2020