

ENWORK

Equilibrium Credenza

Cantilevered base & Tapered Credenza



Installation Instruction

Equilibrium End User Agreement

Enwork Equilibrium credenza bases must be installed directly onto a four inch minimum thickness concrete floor using factory provided hardware.

Warning and Indemnity Agreement

Failure to install on four inch thick concrete floor or failure to follow installation instructions may cause table to function improperly and could lead to personal injury and or structural damage. Do not, under any circumstance, install on a concrete floor less than four inches thick.

Equilibrium credenza assembled can weigh over 400 pounds (unloaded) supported in 0.167 square foot area. It is the responsibility of the dealer to verify that the location for Equilibrium is suitable and is properly installed. End user agrees that the installation shall not be modified and the location of the table base shall not be moved without assistance from an Enwork Dealer.

It is the responsibility of the dealer and end user to adhere to and follow any local or state building, electrical and accessibility codes.

Enwork is not responsible for any structural failures or personal injuries or property damage due to improper installation or improper use of product. End user agrees to defend, indemnify and hold harmless Enwork from any claims of any nature or type arising out of unauthorized modification or movement of the table base or any other improper use of the product.

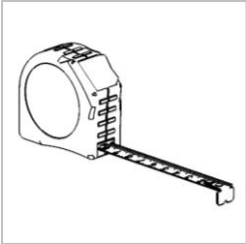
Note: Installation requires at least two people.

ENWORK

12900 Christopher Drive Lowell, MI 49331
800.815.7251 www.enwork.com

Specifications subject to change without notice.

1) Tools and Supplies Required



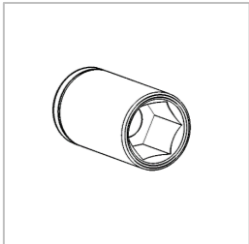
Tape Measure



Drill / Hammer Drill



1/2" Diameter
Masonry Drill Bit



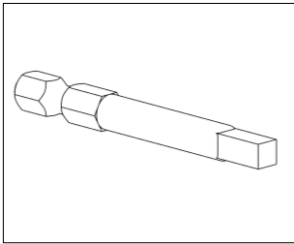
3/4" Socket



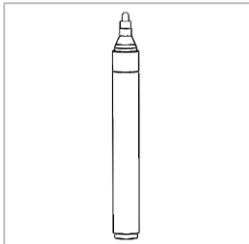
Adjustable Wrench



Socket Wrench



Square Drive



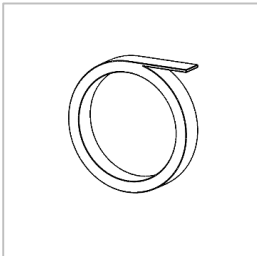
Marker



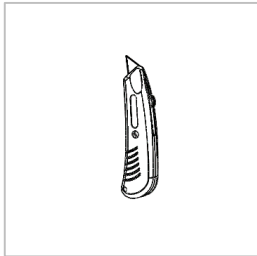
Hammer or Mallet



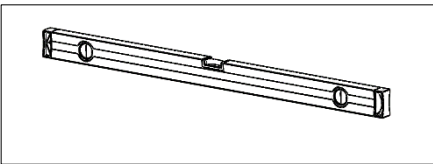
Vacuum



Roll of Tape

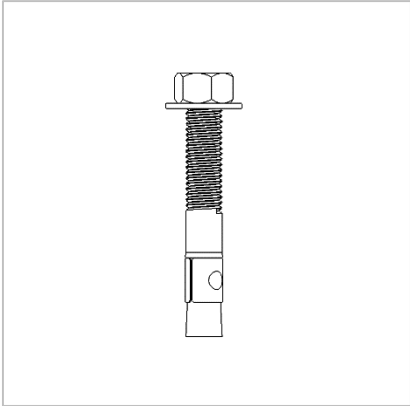


Utility Knife

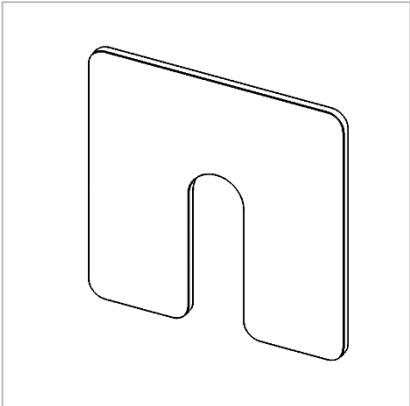


Level

2) Parts and Fasteners Included



1/2" x 3 3/4" Concrete Stud

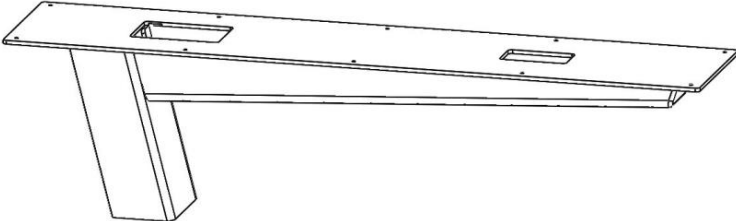


Aluminum Shim (Pack)

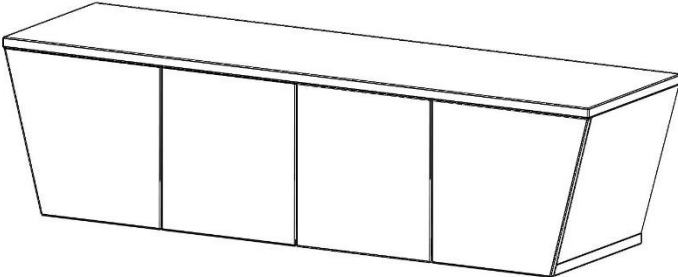


Screw 1 (Black)

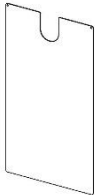
2) Parts and Fasteners Included



Credenza Base
EQM-2242



Tapered Credenza
EQL-2099-xxxx



Removable cover
EQM-1599

3) Assembly: Installing the Base

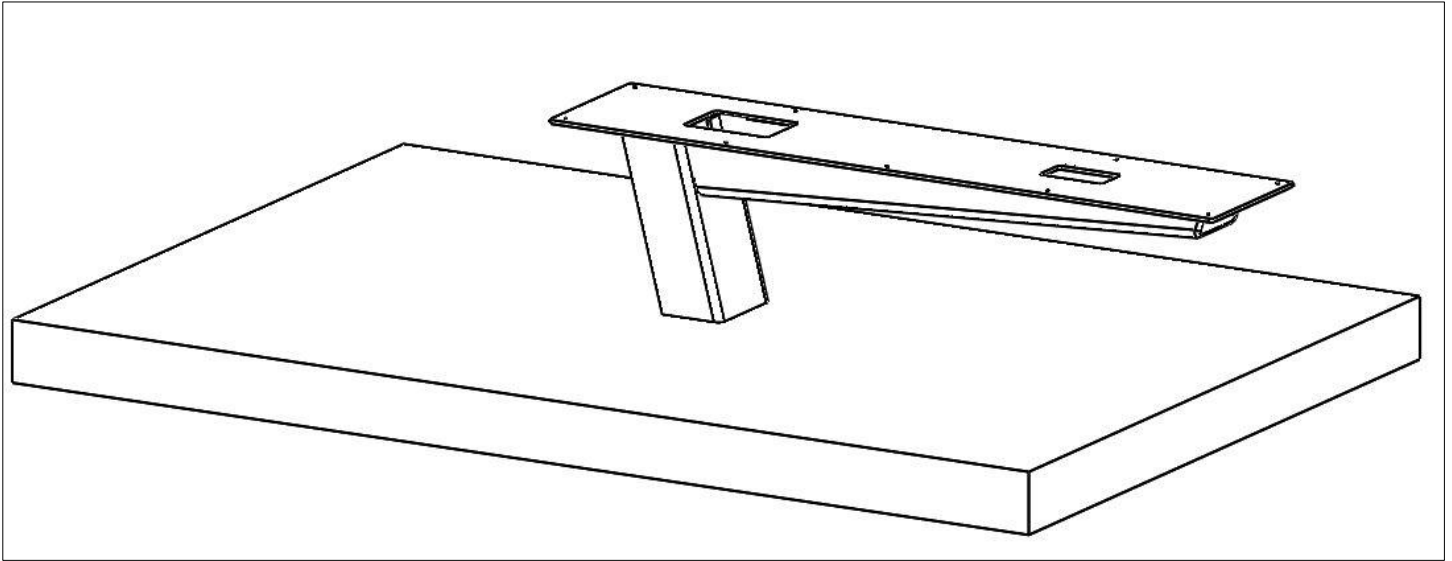


Fig. 3

3) Assembly:

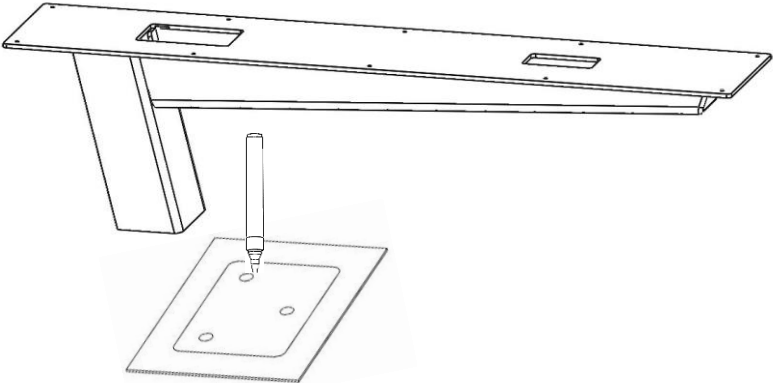


Fig. 3.1

- 3.1.1) Locate final location of base
- 3.1.2) Using credenza base, trace hole location for base placement and carpet removal

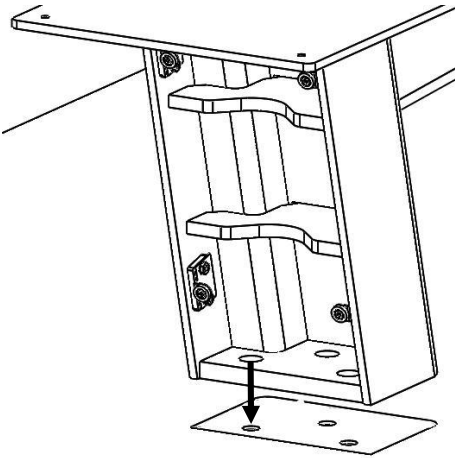


Fig. 3.2

- 3.2.1) Set base over marked hole locations.
Note: Check that base is oriented as desired
- 3.2.2) Using a utility knife, cut away any carpet around the base location
- 3.2.3) With carpet removed, double-check hole locations and if not already there, mark hole locations.

Note: Hold the marker vertically and spin the marker around the hole to get the best result.

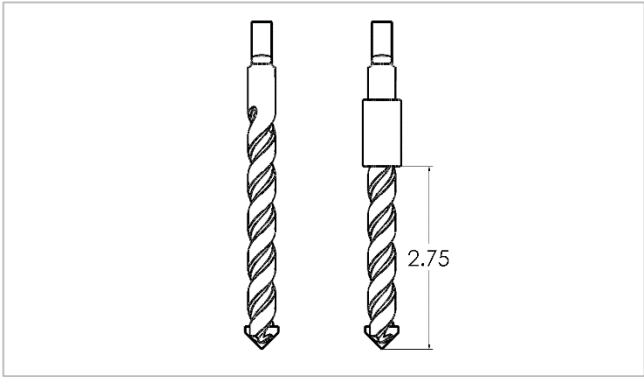


Fig. 3.3

- 3.3.1) Measure 2 ¾" from the bottom of the ½" diameter concrete drill bit and wrap drill bit with tape creating a visual depth gauge.

3) Assembly:

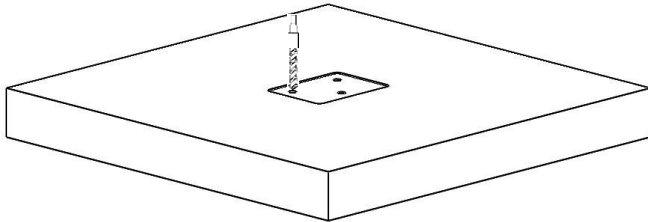


Fig. 3.4

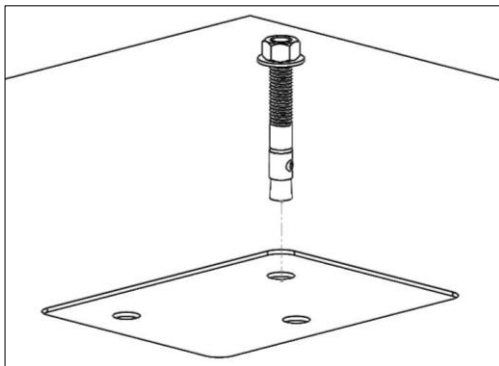


Fig. 3.5

- 3.4.1) Drill marked hole locations to 2 ¾" deep.
- 3.4.2) Vacuum out the drilled holes to remove dust that may prevent anchor from seating properly.

- 3.5.1) Place one washer and one hex nut onto provided concrete anchor so that the hex nut is flush with the top of the anchor.
- 3.5.2) Insert anchor with washer and nut into the the drilled floor hole. Using a hammer or mallet pound anchors into drilled holes until there is 1" - 1-1/2" protruding from the floor.
- 3.5.3) Use ¾" socket or wrench to tighten anchor hex nuts
- 3.5.4) Once all bolts has been tightened, loosen and remove the washers and nuts.

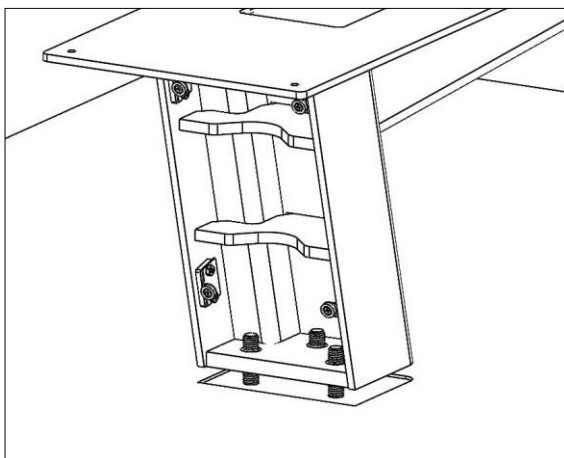


Fig. 3.6

- 3.6.1) Take the base and set into place, aligning holes over bolts
- 3.6.2) With base now in place, use washer and hex nut and tighten to base

3) Assembly:

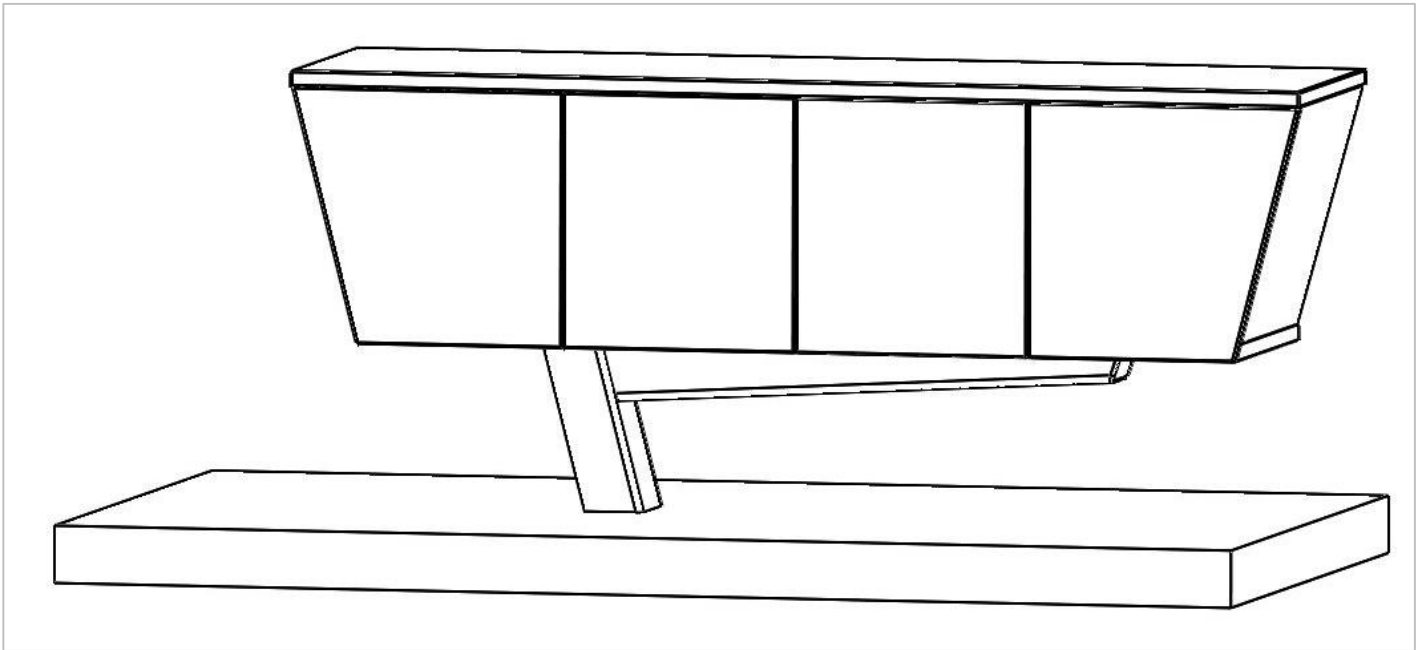


Fig. 4

3) Assembly: Installing Credenza continued

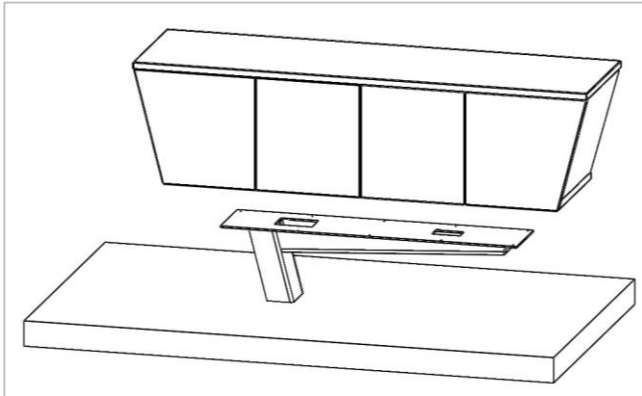


Fig. 4.1

4.1.1) Place Credenza onto base

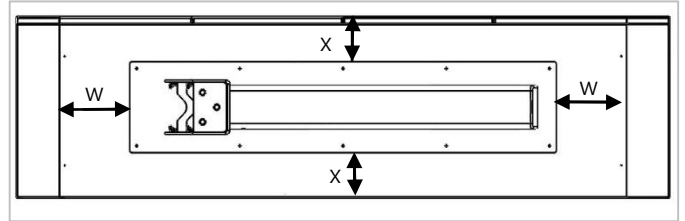


Fig. 4.2

4.2.1) Center credenza on the base, measuring from the front, back, and sides of the credenza to the top mounting plate of base.

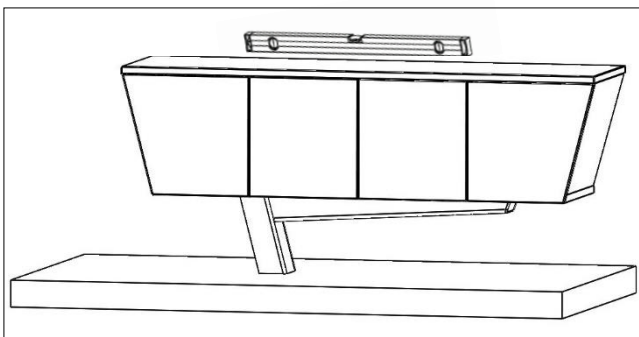


Fig. 4.3

4.3.1) Before securing credenza to base, ensure that credenza is level.

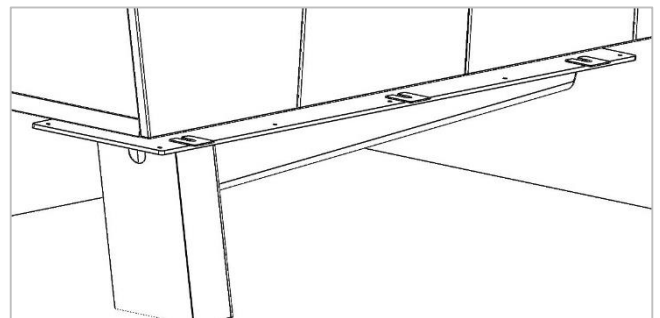


Fig. 4.4

4.4.1) Using aluminum shims, place between top plate of base and bottom of credenza as needed to level the credenza.

Note: If power routing is required, please proceed to following steps for routing diagram.

4.4.2) Secure credenza to base using screw 1

3) Assembly: Installing Credenza continued

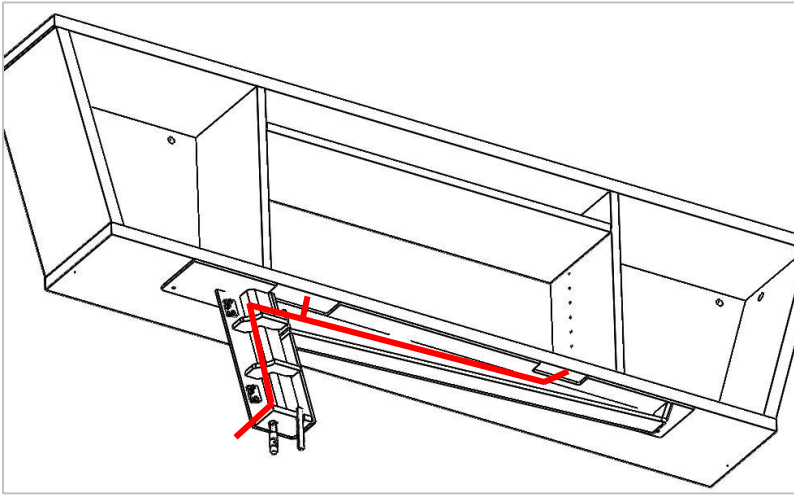


Fig. 5.1

5.1.1) If power routing is needed, refer to diagram above for routing through the base.

5.1.2) Once power cord is routed through base, secure credenza to base using screw 1

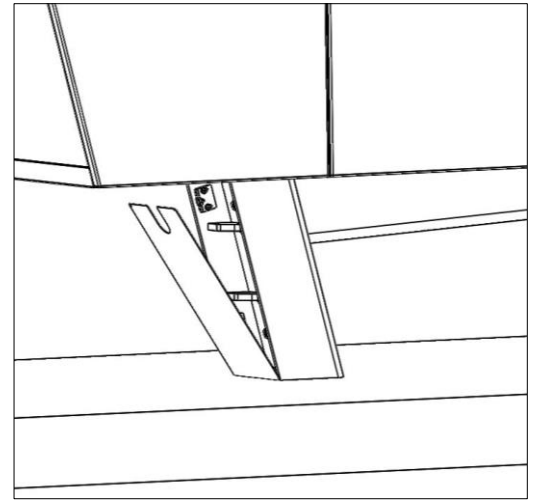


Fig. 5.2

5.2.1) Install the base cover by attaching it to pre-installed magnets

5.2.2) Fig. 5.2 shows power routing hole up for no power option

5.2.3) If power routing is needed, flip the cover so that routing hole is down

ENWORK

12900 Christopher Drive Lowell, MI 49331
800.815.7251 www.enwork.com

Specifications subject to change without notice.