

ENWORK

**e BENCH TABLE
INSTALLATION GUIDE**

OPEN PLAN BENCHING



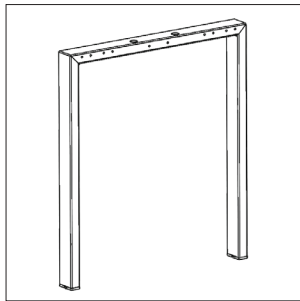
E I 0 0 0 4

eBench Table Installation Instructions – Rev B. 12.17.19

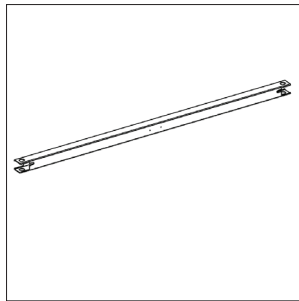
ENWORK

INSTALLATION GUIDE

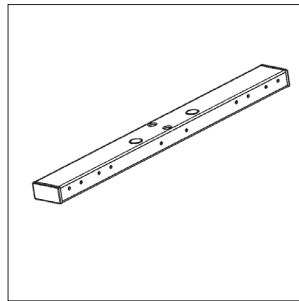
1) PARTS AND FASTENERS INCLUDED



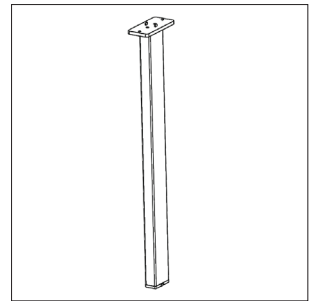
EBE



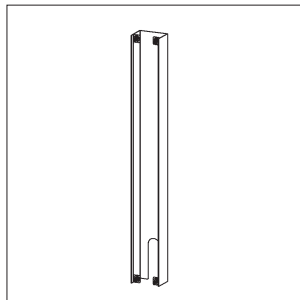
EBC



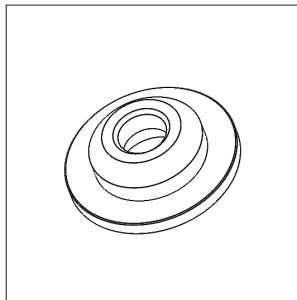
EBD



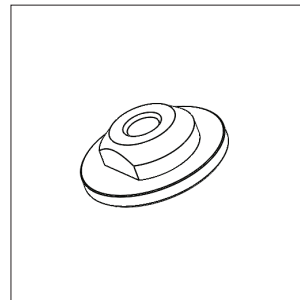
EBSL



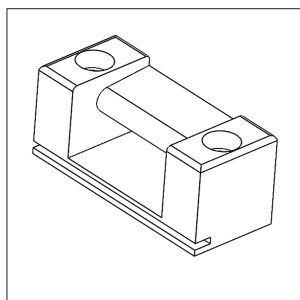
EBM-1327



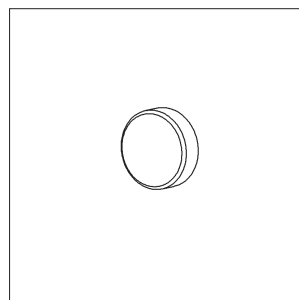
EBF1



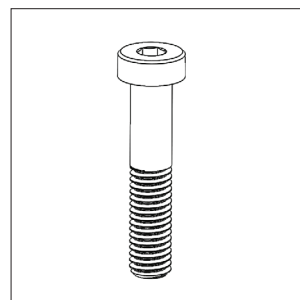
EBF2



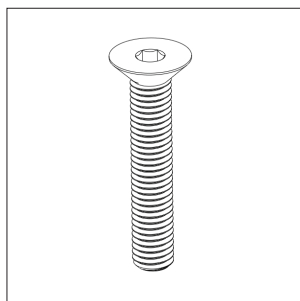
EBF3



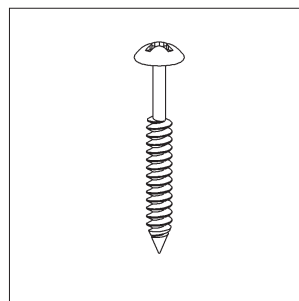
EBF9A



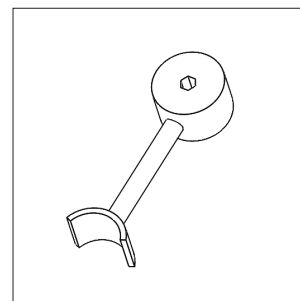
M8-1.25 x 40mm Socket Head



M8-1.25 x 45mm Flatbold Head



10 x 1.5" Panhead Phillips

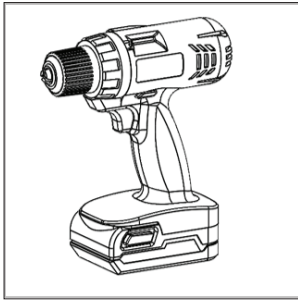


Tight Joint

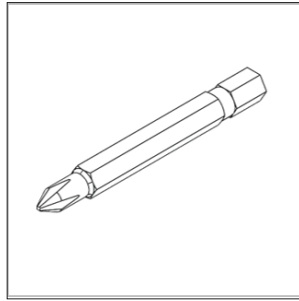
ENWORK

INSTALLATION GUIDE

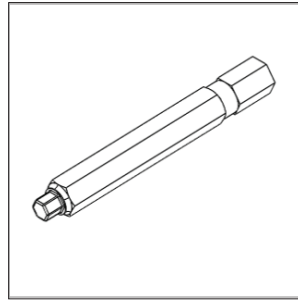
2) TOOLS AND SUPPLIES REQUIRED



Screwdriver



Phillips Driver Bit



Allen Driver Bits

3) ASSEMBLY: SINGLE SIDED EBENCH

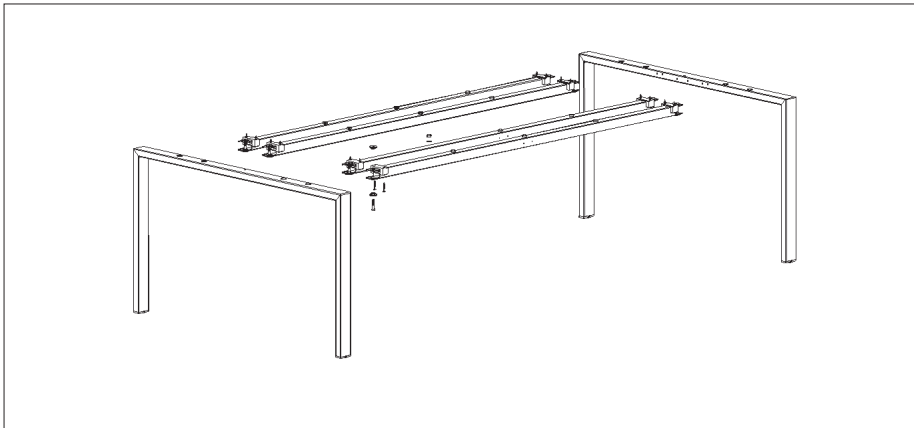


FIGURE 1

1 Bar eBench Table:
EBZ4848 / EBZ4860 / EBZ4872
EBZ6048 / EBZ6060 / EBZ6072

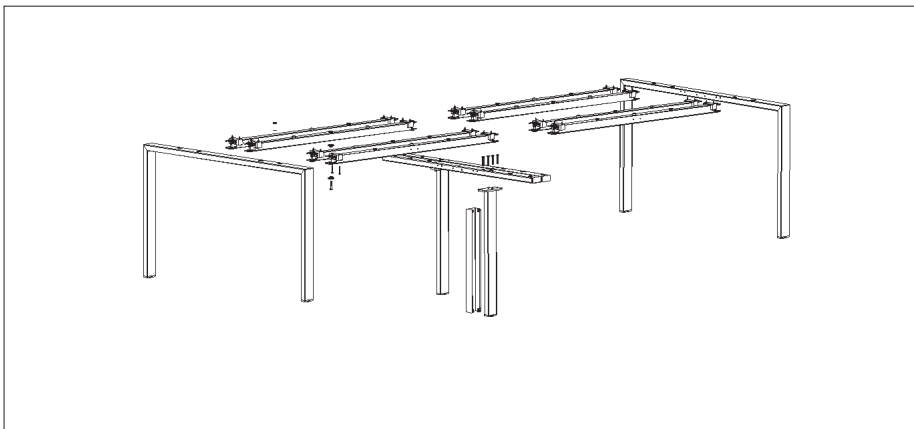


FIGURE 2

2 Bar eBench Table:
EBZ4896 / EBZ48120 / EBZ481442
EBZ6096 / EBZ60120 / EBZ6481442

INSTALLATION GUIDE

3) ASSEMBLY: CONT. 1

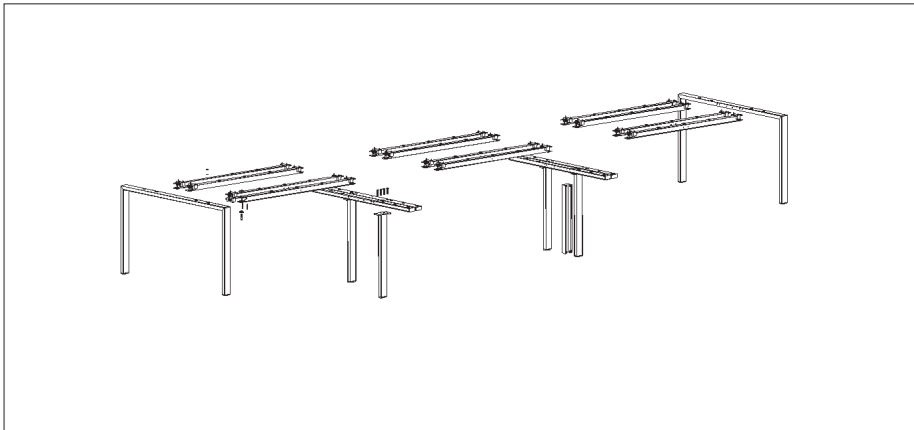


FIGURE 3

3 Bar eBench Table:
EBZ481443 / EBZ48156 / EBZ48180 /
EBZ48192 / EBZ48204 / EBZ48216
EBZ601443 / EBZ60156 / EBZ60180 /
EBZ60192 / EBZ60204 / EBZ60216

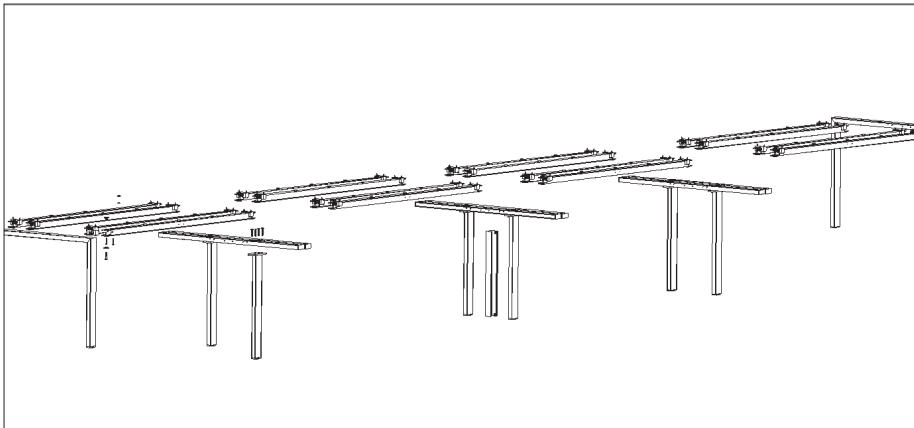


FIGURE 4

4 Bar eBench Table:
EBZ482404
EBZ602404

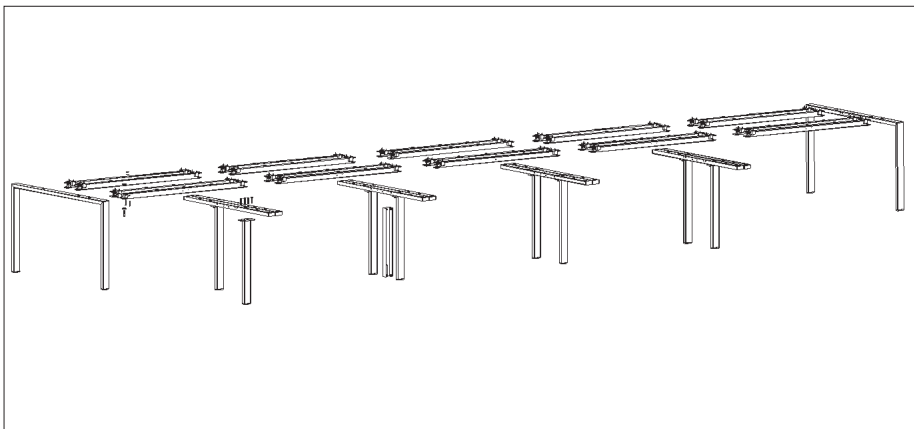


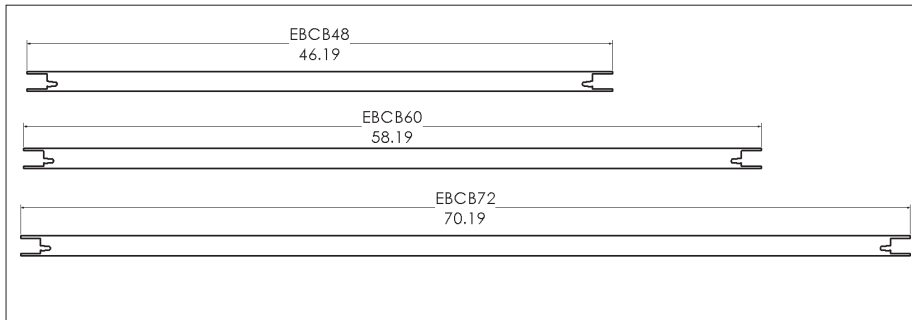
FIGURE 5

5 Bar eBench Table:
EBZ482405
EBZ602405

ENWORK

INSTALLATION GUIDE

3) ASSEMBLY: CONT. 2



EBC LENGTHS

FIGURE 6

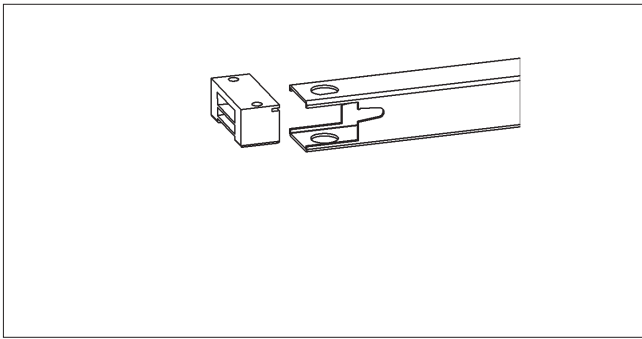


FIGURE 7

Attach EBF1 to all the EBC ends.

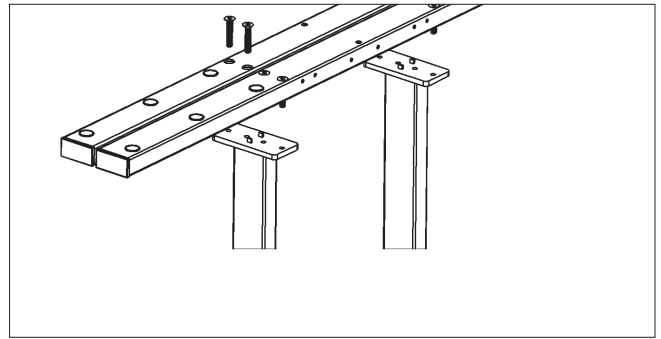


FIGURE 8

Connect 2 EBD to 2 EBSL using the Flathead bolts.

Note: Holes on the sides of EBD face outward.

The countersunk holes on EBD must face up.

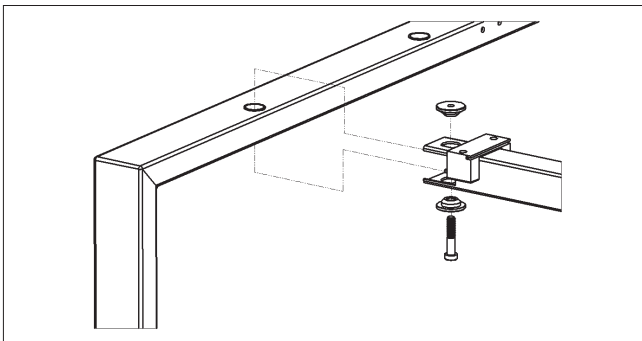


FIGURE 9

Connect crossbar to EBE using 1 EBF1, EBF2, and a Sockethead bolt. Repeat for all crossbars

Note: Connection to run mid leg shown in Figure 10 is the same as shown in Figure 11.

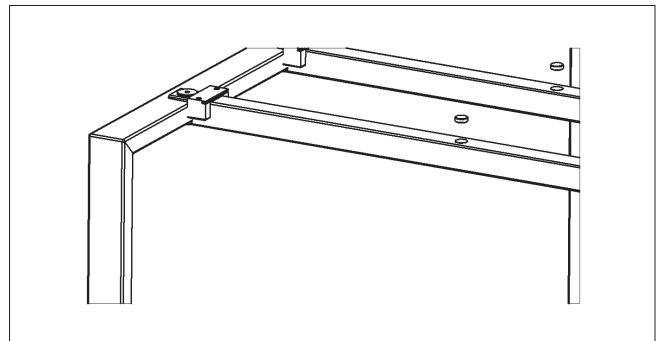


FIGURE 10

Remove backer from disks on the EBC crossbar and attach the plastic disk EBF9A to the adhesive.

Place one EBF9A at all sticker locations.

ENWORK

INSTALLATION GUIDE

3) ASSEMBLY: CONT. 3

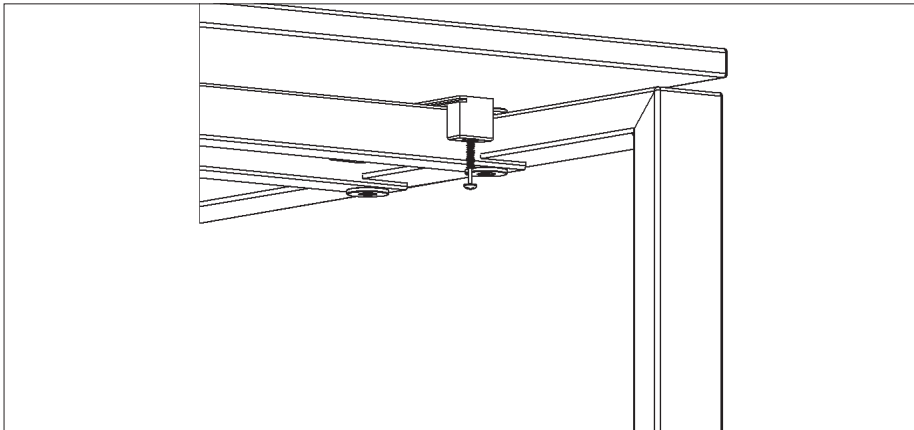


FIGURE 11

Attach top surface using 2 Panhead Screws through all the EBF3 blocks. Surface is centered all around base.

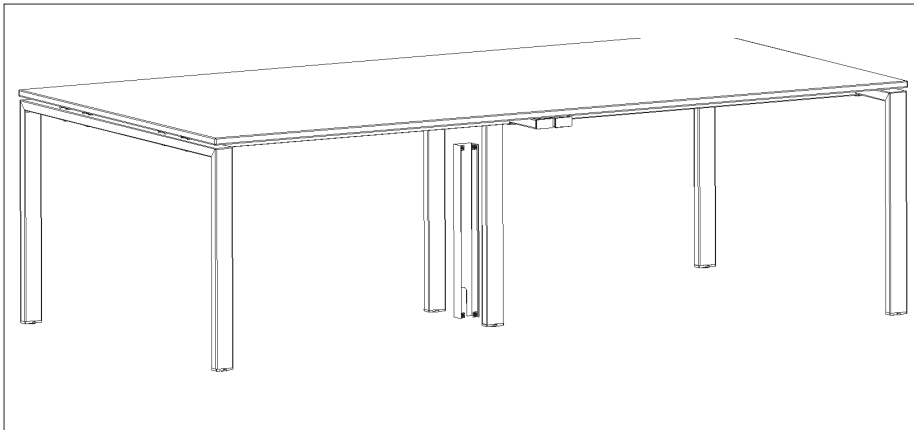


FIGURE 12

Leg cover EBM-1327 magnetically attaches to the mid run legs for power cord concealment.

ENWORK

1.800.815.7251

www.enwork.com

12900 Christopher Dr. Lowell, MI 49331

Specifications subject to change without notice.

Rev 02.2020