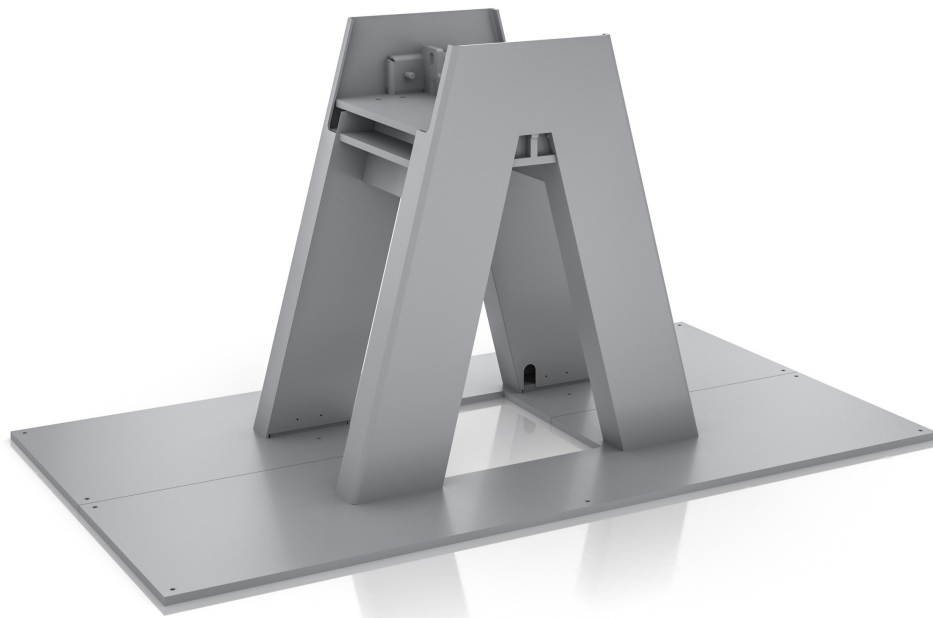


ENWORK

EQUILIBRIUM FREESTANDING
ASSEMBLY

V 1.0



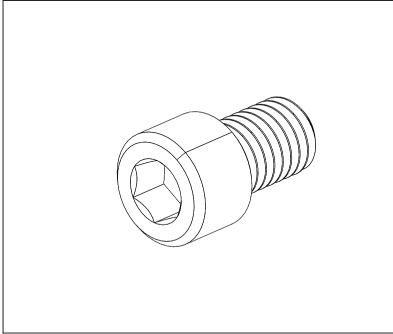
E 1 0 0 1 2

Equilibrium Freestanding Installation Instructions - Rev. A

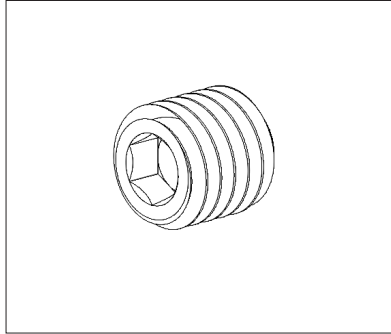
ENWORK

INSTALLATION GUIDE

1) PARTS AND FASTENERS INCLUDED

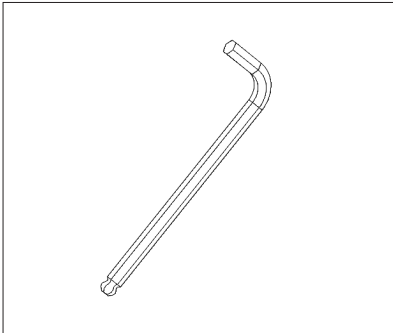


(4x) 1/2-13 x 1" Socket Head Screw



(14x) 1/2-13 x 1/2" Flat-Tip Set Screw

2) TOOLS AND SUPPLIES REQUIRED



3/8" Drive Hex L-Key

ENWORK

INSTALLATION GUIDE

3) UNIT ASSEMBLY

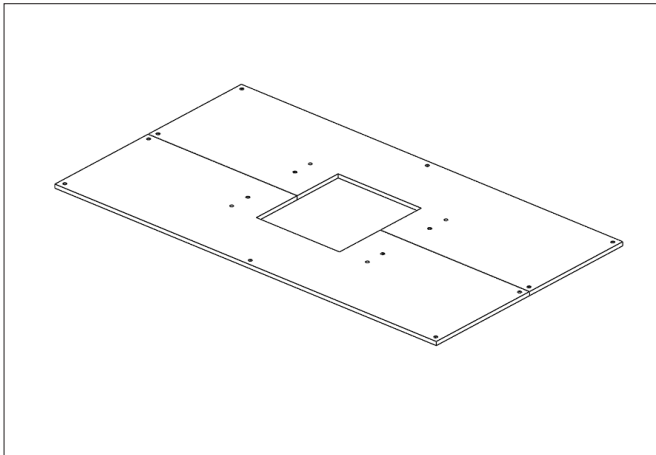


FIGURE 3.1

3.1) Place the (2) plates flat on the floor so the middle cut outs face inward.

Note : *Plates should be in the desired location of the table base.*

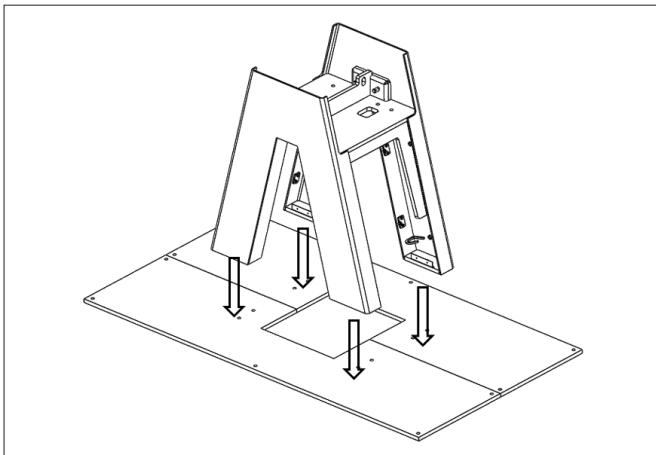


FIGURE 3.2

3.2) Put the Equilibrium base on top of the plates and line up the holes on the legs of the base (fig 3.2.b) with the outside, middle holes of the plate.

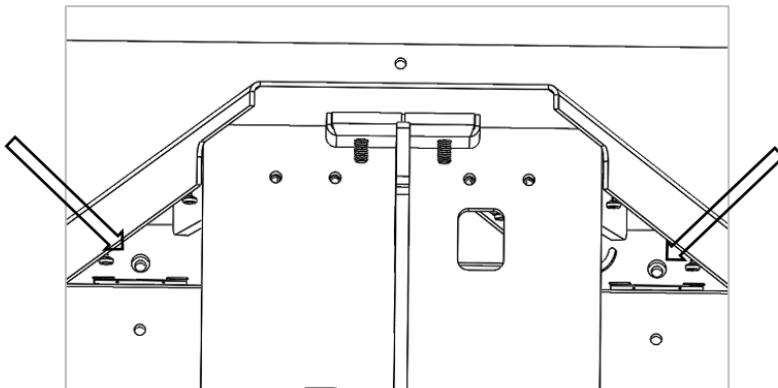


FIGURE 3.2.B

ENWORK

INSTALLATION GUIDE

3) UNIT ASSEMBLY CONTINUED

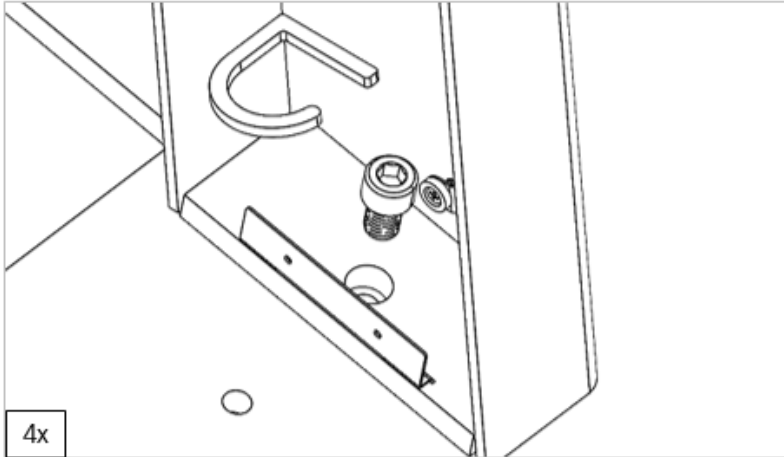


FIGURE 3.3

3.3) Insert the provided $\frac{1}{2}$ " -13 x 1" bolts into the holes in the legs and tighten them down with the $\frac{3}{8}$ " Hex L-Key

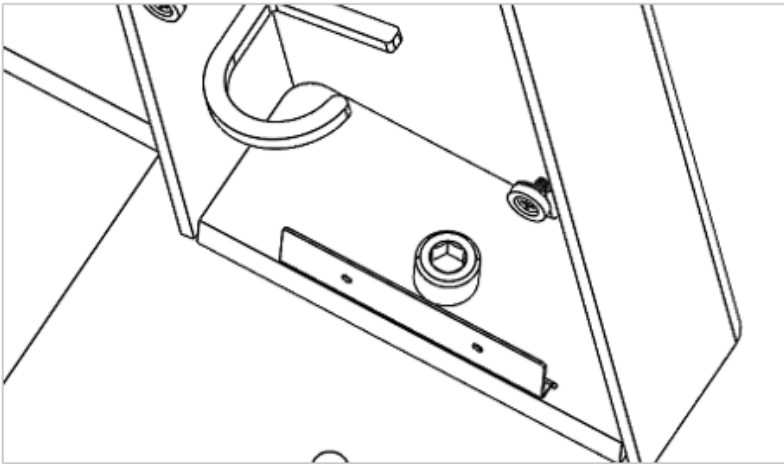


FIGURE 3.3.B

INSTALLATION GUIDE

3) UNIT ASSEMBLY CONTINUED

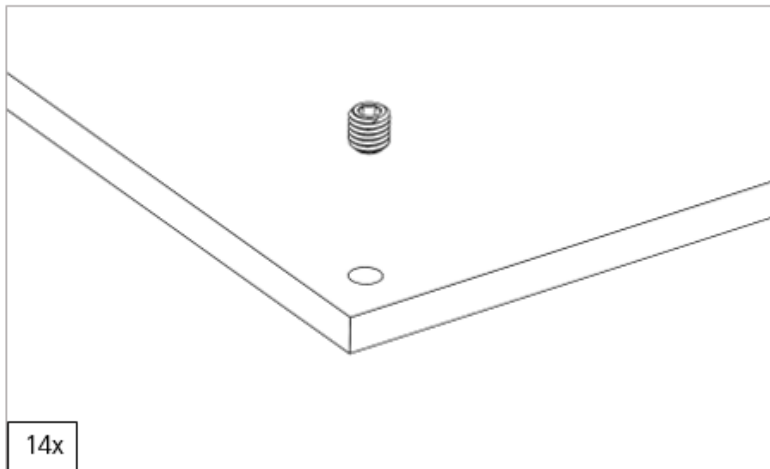


FIGURE 3.4

- 3.4) Insert the provided $\frac{1}{2}$ " -13 x $\frac{1}{2}$ " Flat -Tip Set Screws into the holes in the plates and tighten them down with the $\frac{3}{8}$ " drive Hex L-Key

NOTE: Do not tighten the set screws down all the way. These are used to level the plates if the floor is uneven.

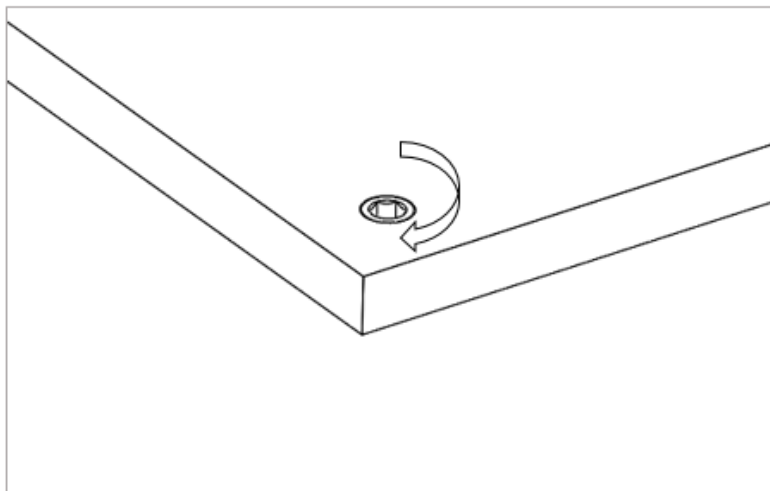


FIGURE 3.5

- 3.5) If there is a slight wobble or movement in between the top of the floor and the bottom of the plates, you may need to tighten or loosen the set screws

ENWORK

1.800.815.7251

www.enwork.com

12900 Christopher Dr. Lowell, MI 49331

Specifications subject to change without notice.

Rev 06.2022