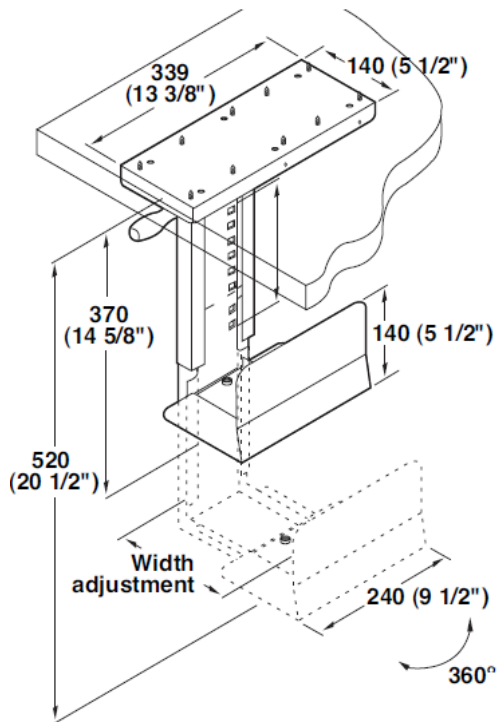


# C P U H O L D E R

Securely clamps and holds CPU.

## Details

- 360° swivel provides easy access to connections on the rear of CPU
- Provides 8 1/2" of travel for easy access to connections on rear of CPU
- Height adjustment: 14 5/8" - 20 1/2"
- Width Adjustment: 5 1/2" - 9 1/4"
- Load Rating: 25 kg (55 lbs.)
- Material: steel  
Color: black epoxy



1.800.815.7251  
[www.enwork.com](http://www.enwork.com)

Specifications subject to change without prior notice.

Rev 05.2018