

ENWORK

# AMBITION 24" H TOPPER SCREEN INSTALLATION GUIDE

SCREENS



A M I 0 0 0 8

Ambition 24"H Topper Screens Installation Instructions – Rev A.

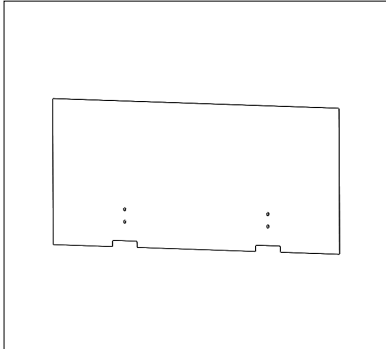
**WARNING:**

Acrylic screens scratch and scuff easily. After removing protective film, immediately and carefully install the screen.  
DO NOT remove protective film from acrylic screens, then stack them in a pile or against each other. Experience shows this will cause marring and scratching.

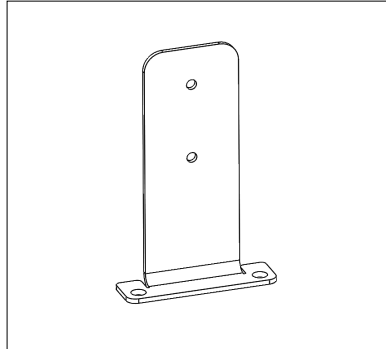
# ENWORK

## INSTALLATION GUIDE

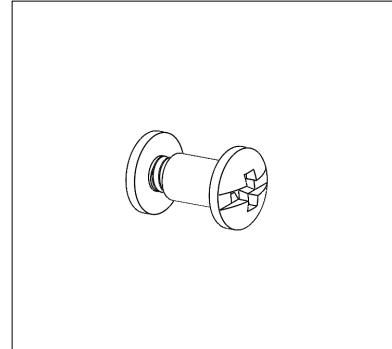
### 1) PARTS AND FASTENERS INCLUDED



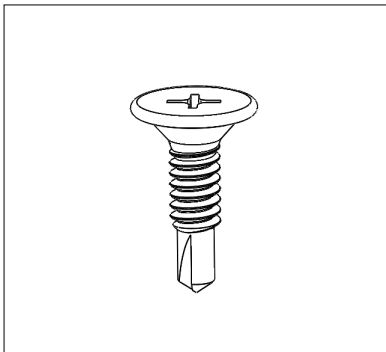
Screen



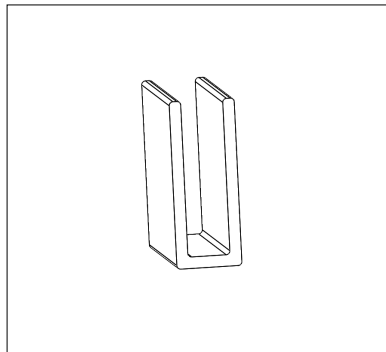
PNM-1954 Brackets



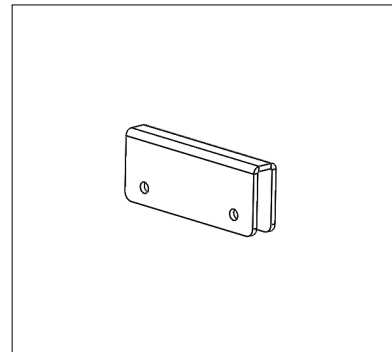
10-24 Binding Bolt Pair



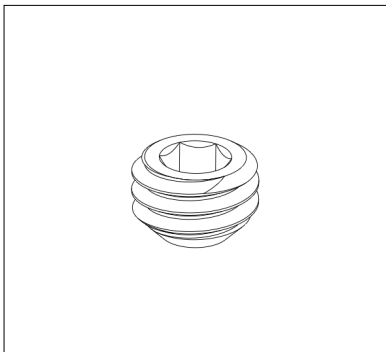
#10 x 3/4" Self-Drilling Screws



Gasket



EM-1919

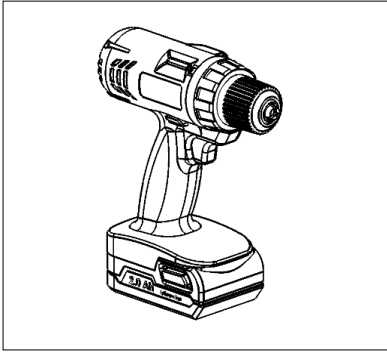


10-32 x 1/8" Set Screw

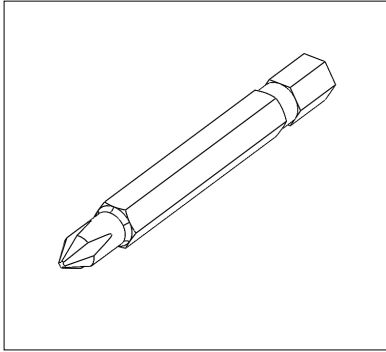
# ENWORK

## INSTALLATION GUIDE

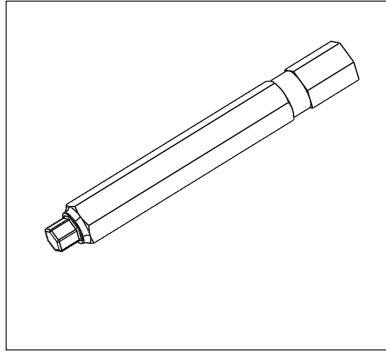
### 2) TOOLS AND SUPPLIES REQUIRED



Drill/Driver



Phillips Bit



Hex Bit

# ENWORK

## INSTALLATION GUIDE

### 3) ASSEMBLY:

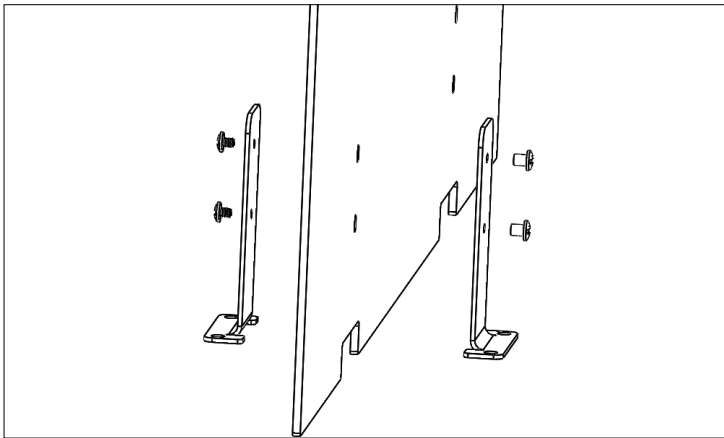


FIGURE 1

Sandwich the screen between the brackets using the Binding Bolts.

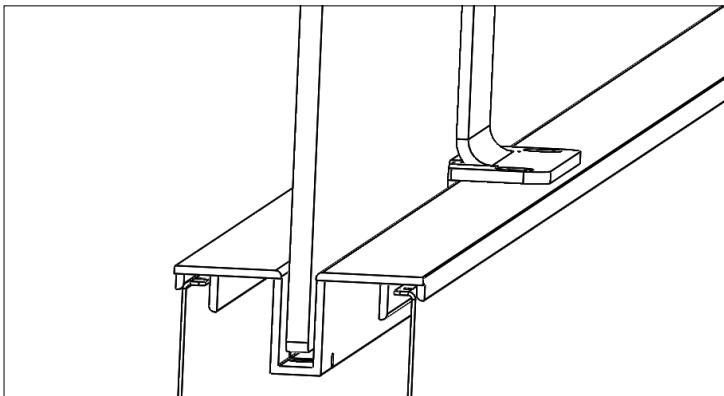


FIGURE 2

Quarter Inch Thick Materials: Slide the gasket onto the bottom of the screen and slide the assembly into the slot on the beam top cap. If the fit is too snug, use soapy water to slide easier.

Half Inch Thick Materials: Center the screen on the top cap front to back and left to right.

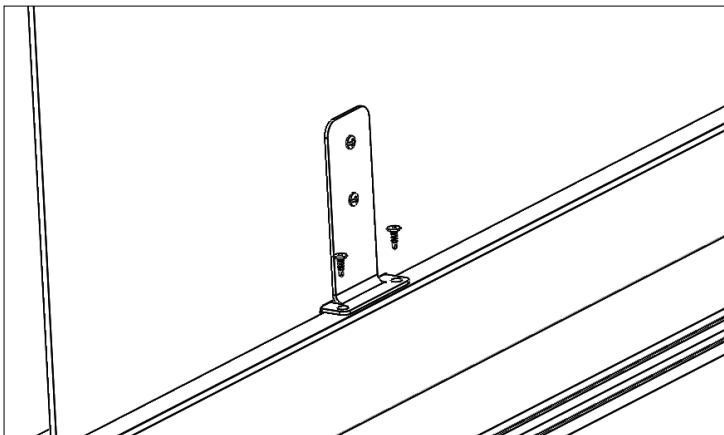


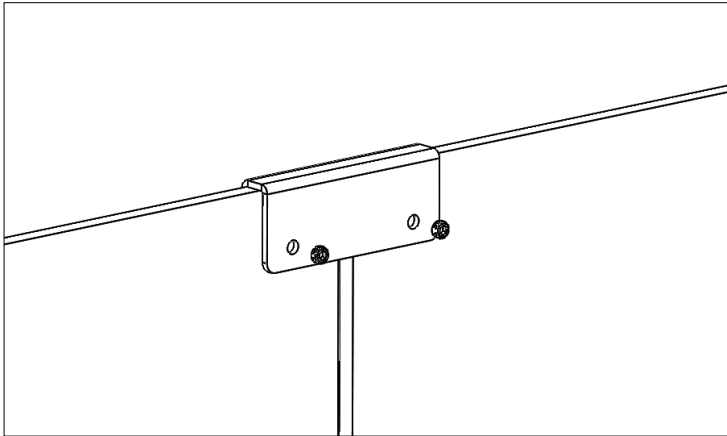
FIGURE 3

Once the screen is firmly in place use the self-drilling screws to firmly attach the brackets to the beam top cap.

# ENWORK

## INSTALLATION GUIDE

### 3) ASSEMBLY CONT.



In cases where multiple screens are next to each other EM-1919 brackets and the 10-32 Set Screws may be included to connect the screens together at the seams.

FIGURE 4

ENWORK

1.800.815.7251

[www.enwork.com](http://www.enwork.com)

12900 Christopher Dr. Lowell, MI 49331

Specifications subject to change without notice.

Rev 08.2020