

ENWORK

APRON TABLE INSTALLATION  
INSTRUCTIONS

CONFERENCE TABLES



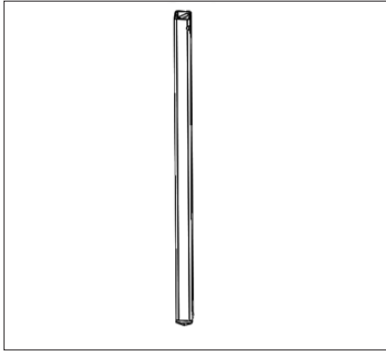
AM10007

Apron Installation Instructions - Rev B

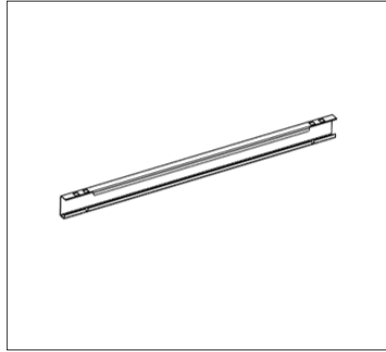
# ENWORK

## INSTALLATION GUIDE

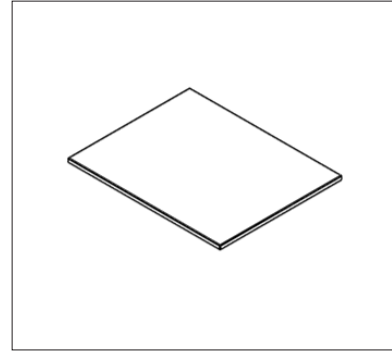
### 1) PARTS AND FASTENERS INCLUDED



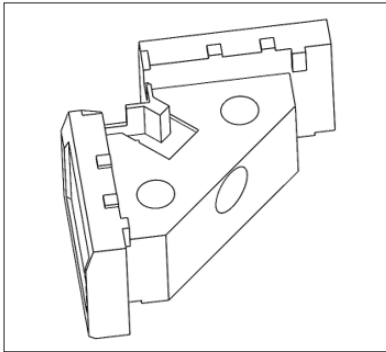
MBS-1040 LEG



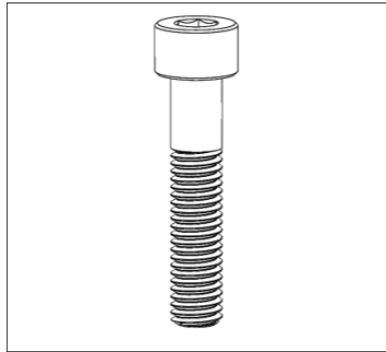
MB Stretcher



Worksurface



MBH-3008 Corner Bracket

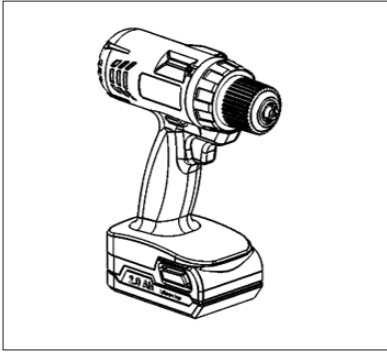


M8-1.25 x 40mm Sockethead

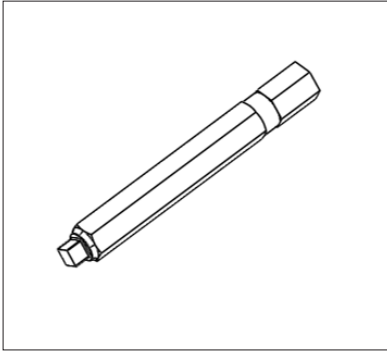
# ENWORK

## INSTALLATION GUIDE

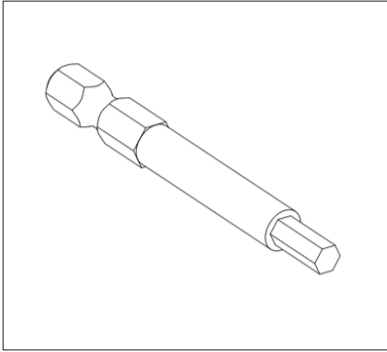
### 2) TOOLS AND SUPPLIES REQUIRED



Drill/Screwdriver



#2 Square Drive



6mm Hex Drive

# ENWORK

## INSTALLATION GUIDE

### 3) ASSEMBLY

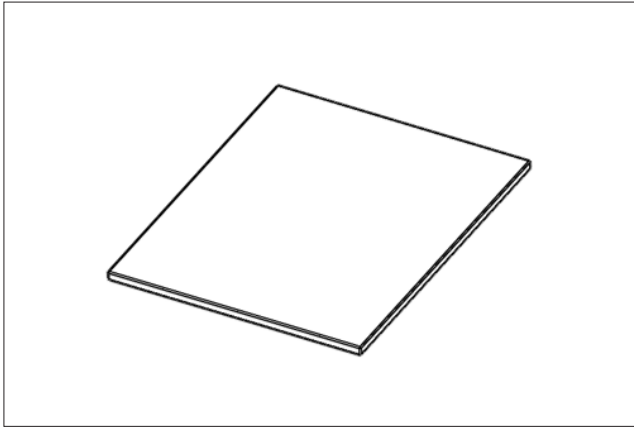


FIGURE 1

1. Lay the Worksurface upside-down on a flat, non-marring surface.

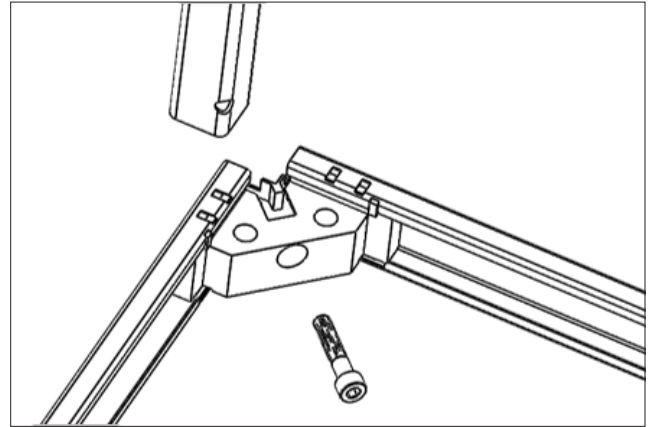


FIGURE 2

2. Assemble the frame by placing all the MB Stretchers out, following the shape of the Worksurface. Connect the Stretchers using the Corner Brackets. They will 'key' in with an audible snap. Finally attach the Legs using the provided M8 Bolts.

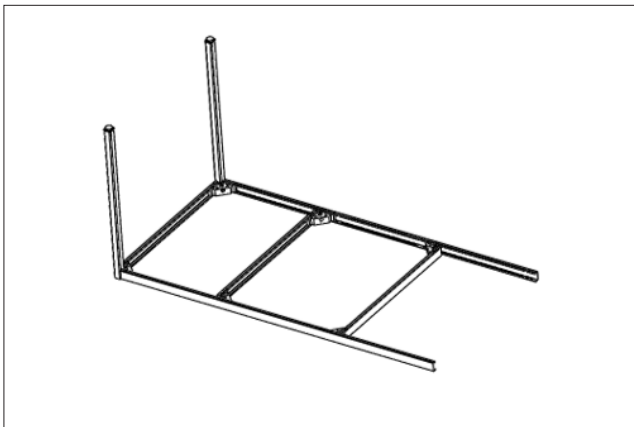


FIGURE 3

3. On larger sizes two Stretchers are used to support the Worksurface. After assembling 2 Legs and the long Stretchers, snap the Corner Brackets into the long Stretchers and link them together with a short Stretcher. Then attach the remaining legs.

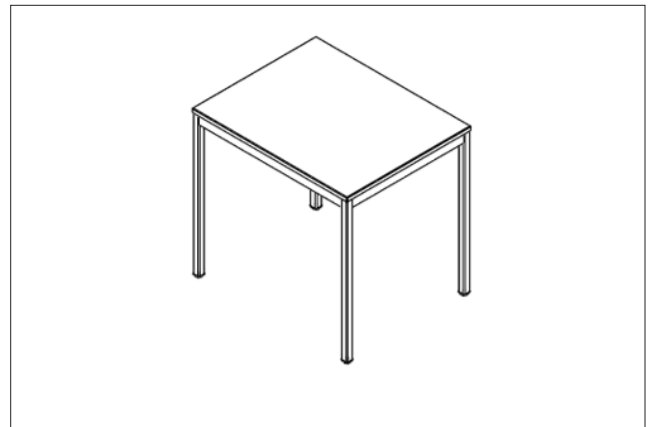


FIGURE 4

4. Screw the completed Frame to the Worksurface using the provided screws through the MBH-3008 Corner Brackets.

ENWORK

1.800.815.7251

[www.enwork.com](http://www.enwork.com)

12900 Christopher Dr. Lowell, MI 49331

Specifications subject to change without notice.

Rev 11.2020