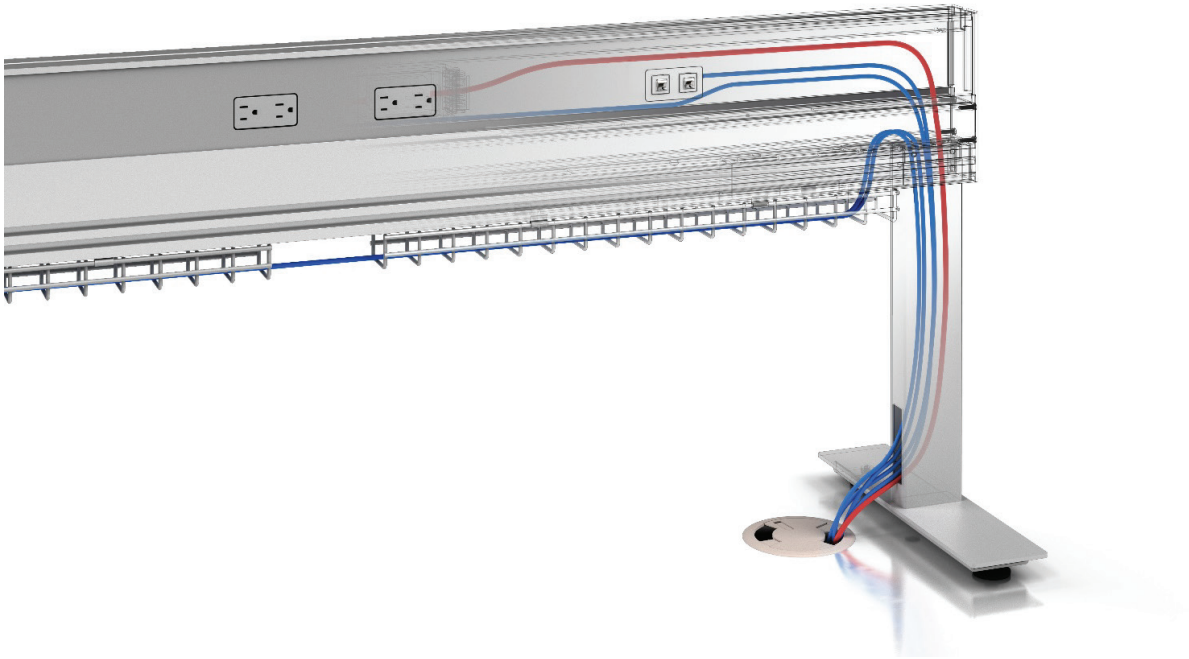


ENWORK

WIRE BASKET INSTALLATION INSTRUCTIONS

WIRE MANAGEMENT



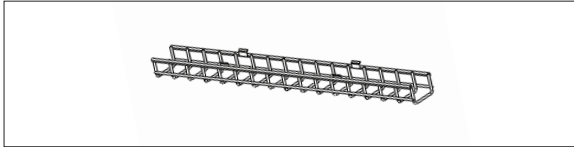
A M I 0 0 0 6

Wire Basket Installation Guide – Rev A.

ENWORK

INSTALLATION GUIDE

1) PARTS AND FASTENERS INCLUDED



AMSCB24

2) ASSEMBLY

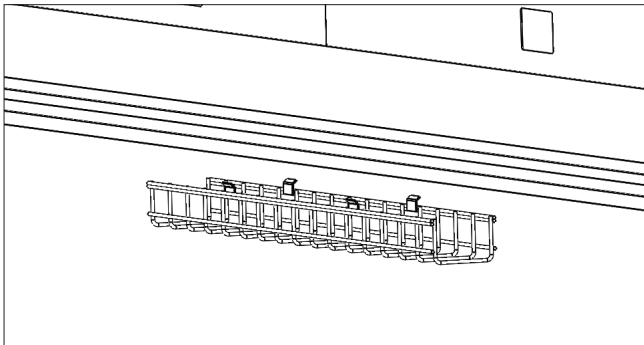


FIGURE 1

The AMSCB24 wire managers are designed to fit underneath the beams. (Figure 1) They can hold up to 28 Cat5 cables.

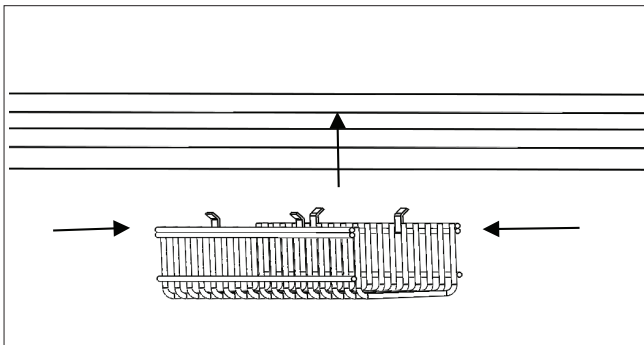


FIGURE 2

Squeeze the AMSCB24 to narrow the flange distance so the it slides into the trough under the beam. (Figure 2)

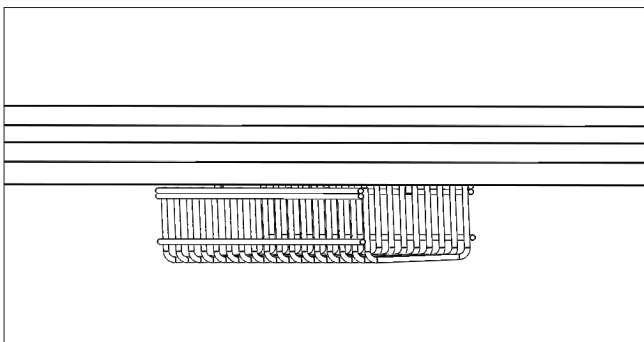


FIGURE 3

Release the trough so that the flanges grab the slots on the inside of the beam trough and prevent the AMSCB24 from falling out. (Figure 3)

ENWORK

1.800.815.7251

www.enwork.com

12900 Christopher Dr. Lowell, MI 49331

Specifications subject to change without notice.

Rev 02.2020