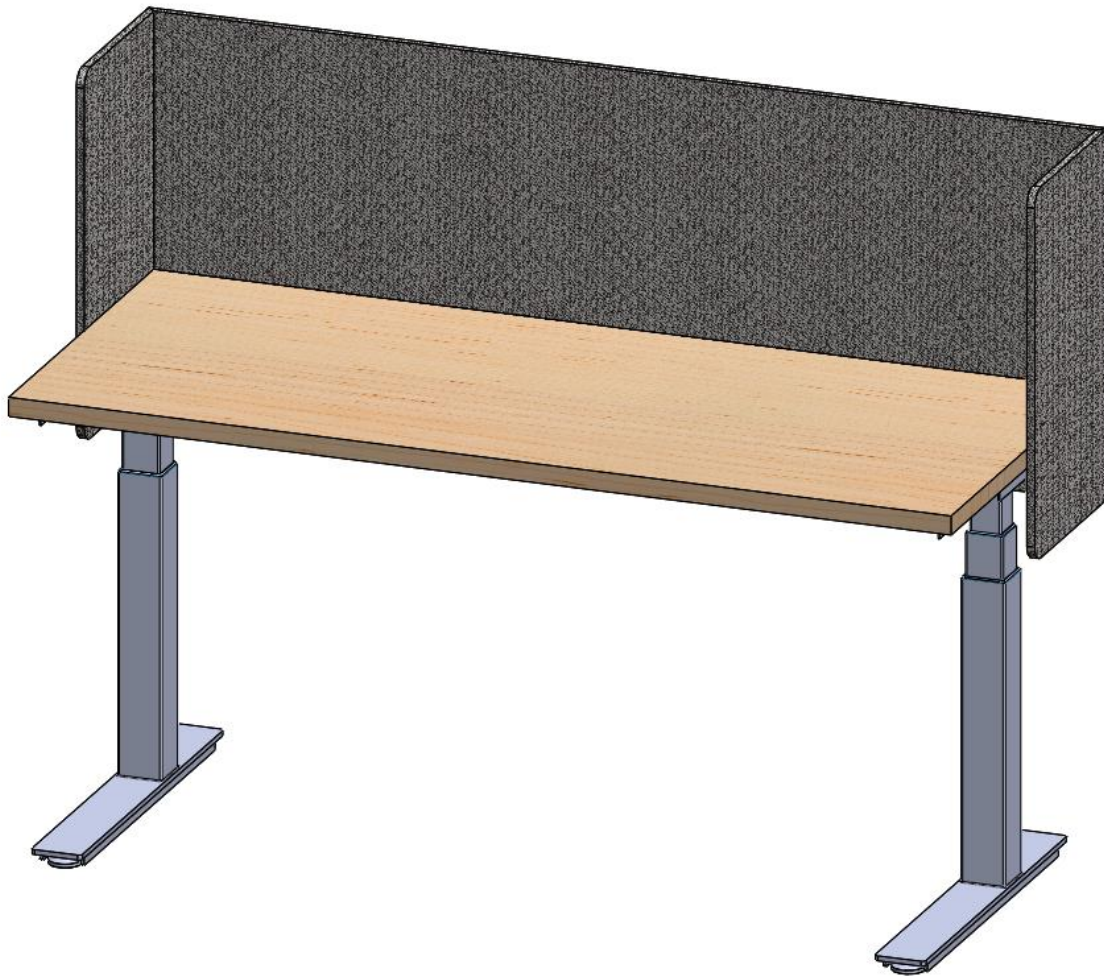


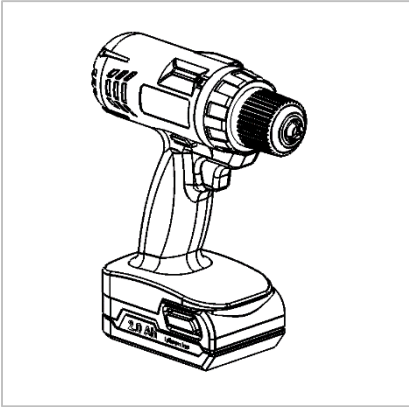
Ambition Acoustic Screen

Acoustic Screen Installation

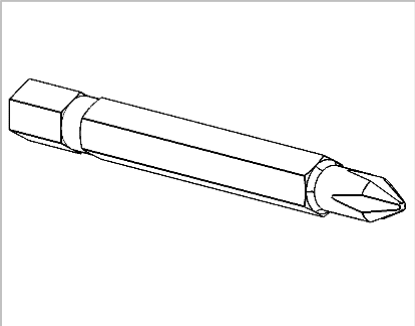


Installation Instructions

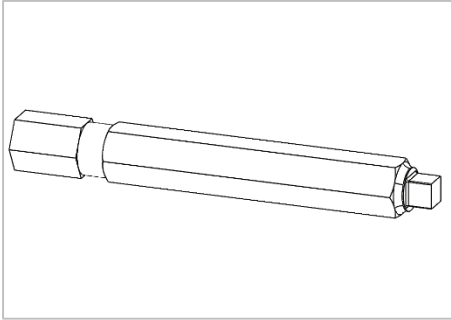
1) Parts and Fasteners Included



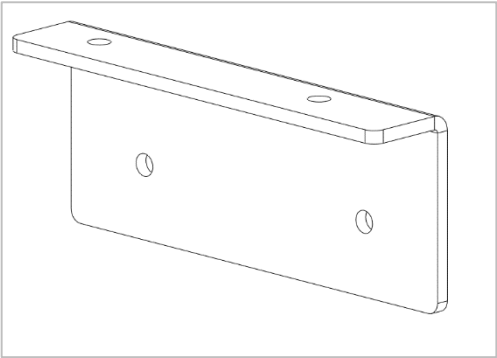
Drill/Driver



#1 Phillips Bit



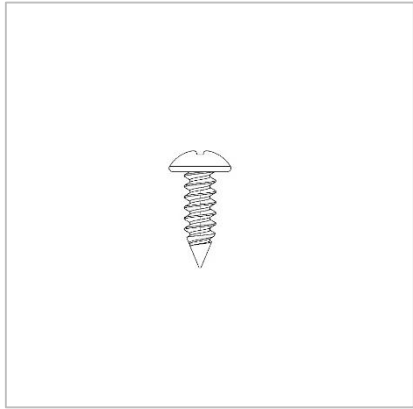
#3 Square Bit



BTDIV BRKT

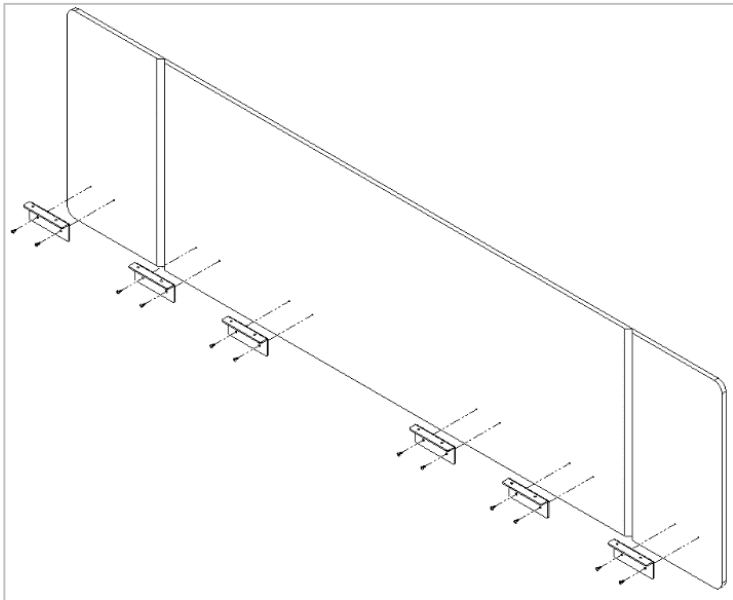


Screw 1



#12 x 0.50 Phillips Screw

2) Assembly Overview



1.) Slowly attach BTDIV BRKT brackets to screen using #12 x 0.50 screws. Do not over tighten.

*****WARNING: TORQUING SCREWS WILL RESULT IN CREATING VISUAL INDENT ON BACK SIDE*****

Fig. 1

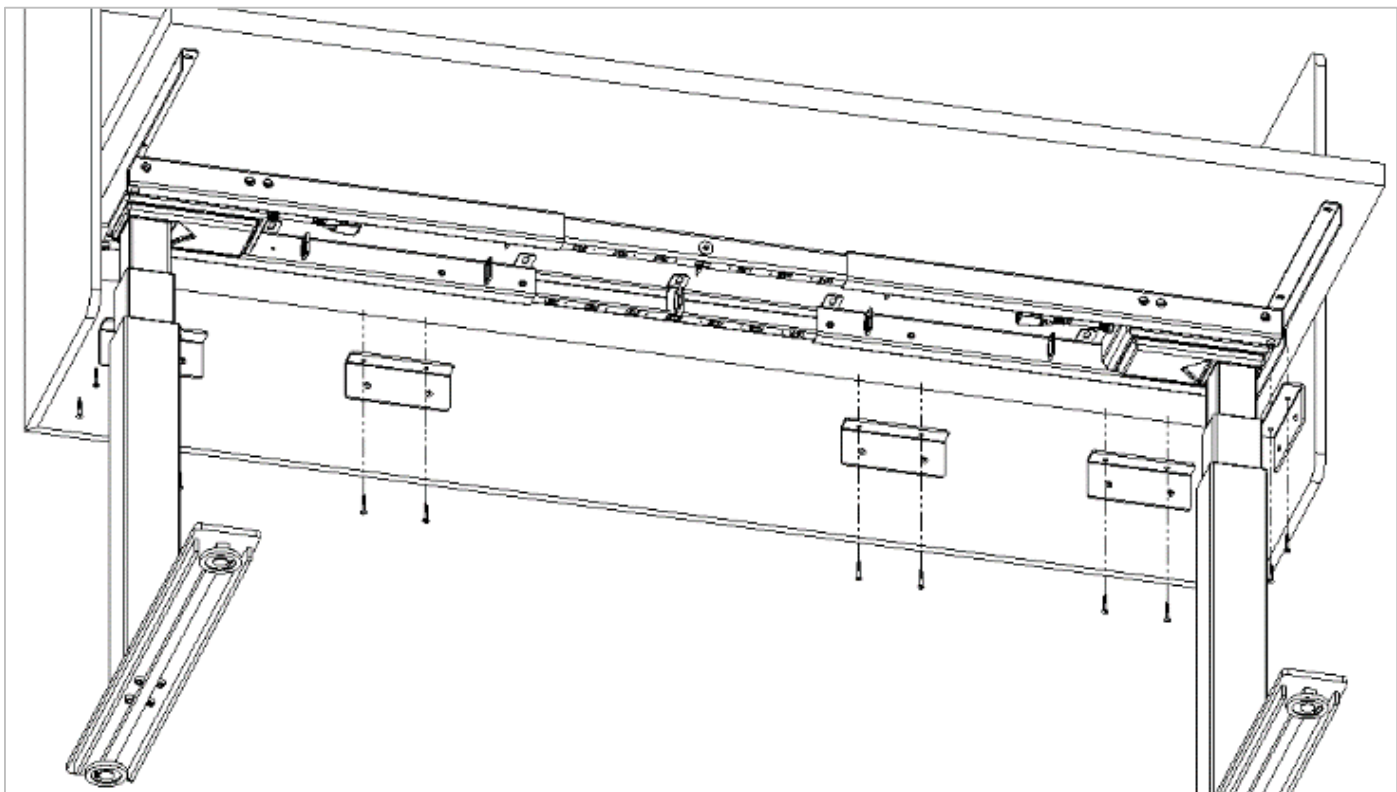


Fig. 2

2.) Using Screw1, attach screen to underside of worksurface as shown in Fig 2.
Note: Screen needs to be held tight against edge of surface while installing

ENWORK

12900 Christopher Drive Lowell, MI 49331
800.815.7251 www.enwork.com

Specifications subject to change without notice.