

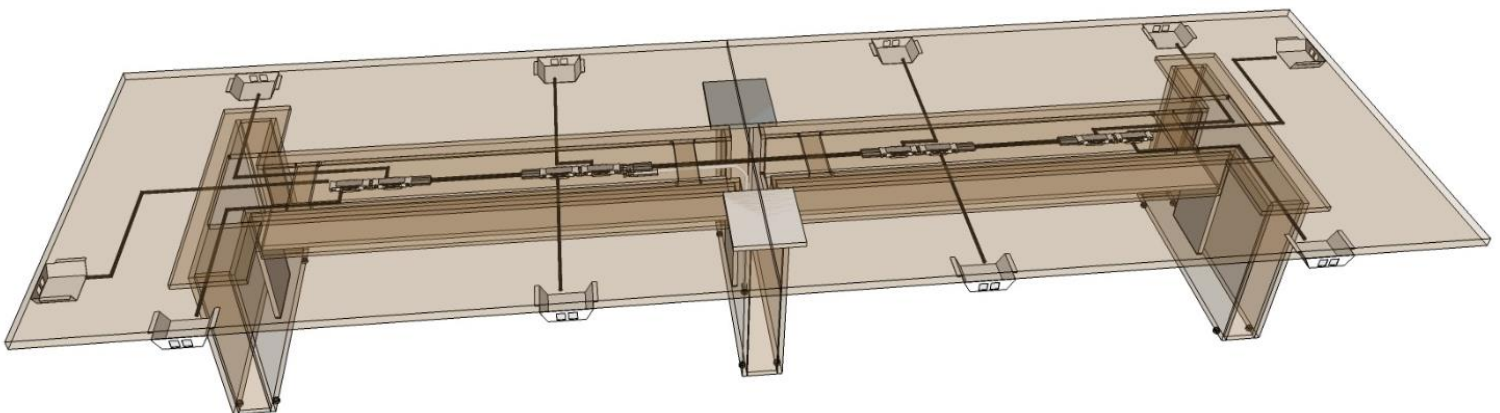
## 4-Trac Power Installation

This approach utilizes modular 4-wire, 2-circuit components to create a “spine” of power access along the underside of the table top, lengthwise down the center. It consists of a series Double Duplexes (2 duplexes with a splitter – 4 outlets total each) connected with metallic jumpers. The infeed can be connected at either end or the center. For the center connection, an H-Block is required to splice into the run. It is suggested to first connect the full run of Double Duplexes and Jumpers, then decide on mounting locations for the mounting bracket locations (e.g. Jumpers can be shorted via coiling).

**IMPORTANT NOTE:** If your table includes troughs or beams between bases, look for pockets machined on the underside of the table top for Satellite cord access into the trough area where this 4-Trac system will be installed. The cords should be placed through pockets before fastening the top to the base, as only the cord will fit through the pocket, not the plug.

Many configurations are possible based on table length and number of Satellite units, this instruction is an illustration of the following application:

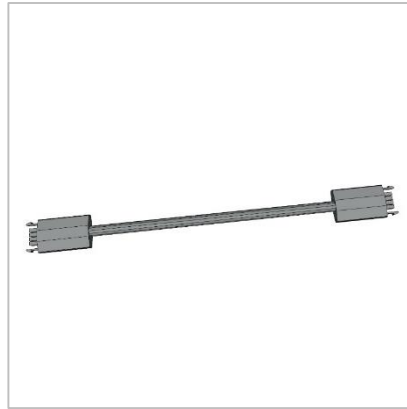
- (10) Corded Satellite Units
- (4) Double Duplex Block Assemblies (16 outlets total)
- Center Infeed utilizing the H-Block



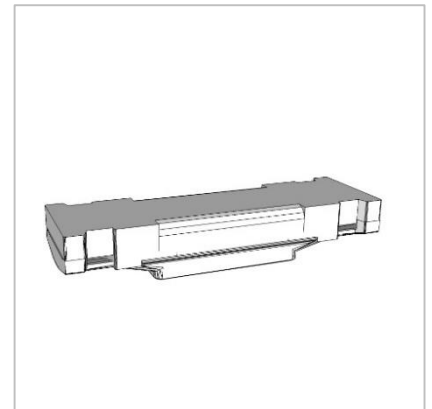
## 1) Parts Included



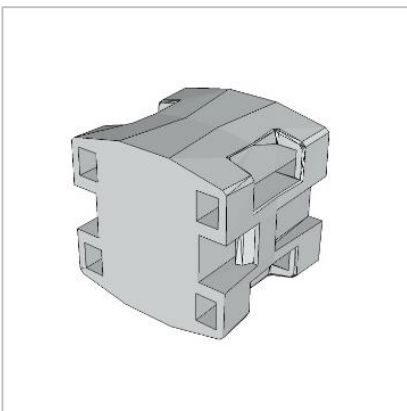
1. Infeed



2. Jumper



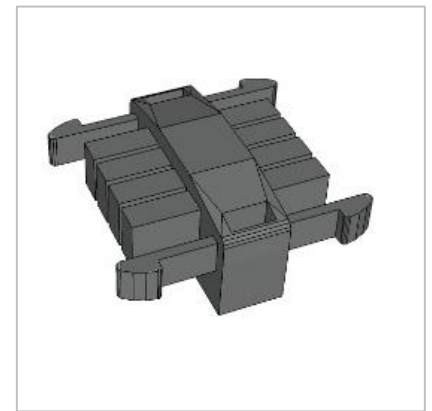
3. Duplex



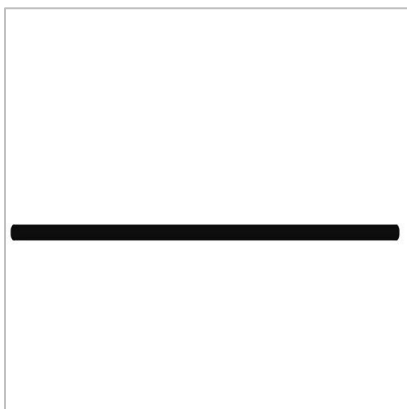
4. H Block



5. Mounting Bracket



6. Splitter

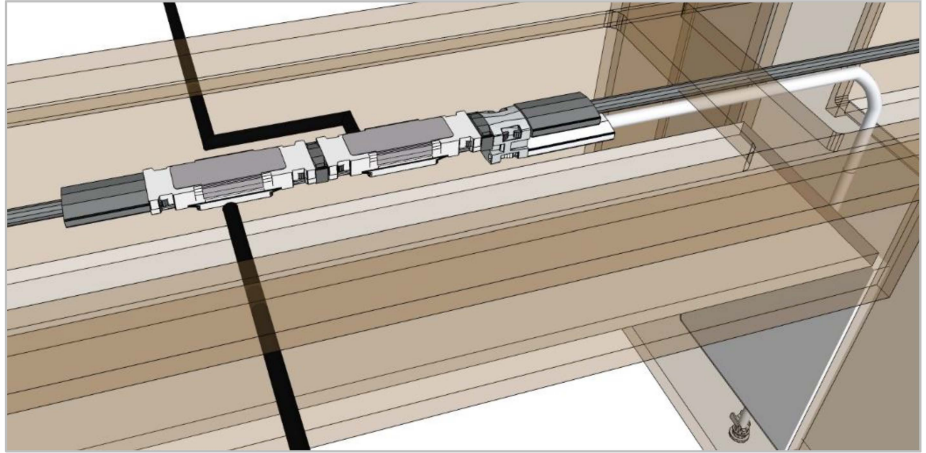
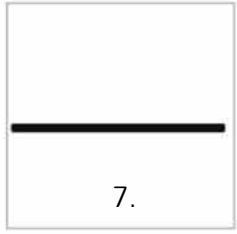
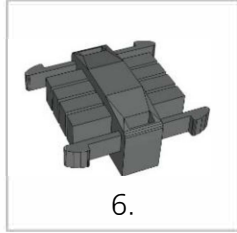
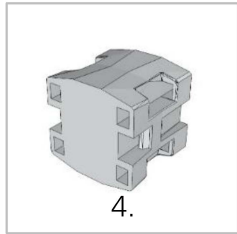


7. Satellite Power Cord

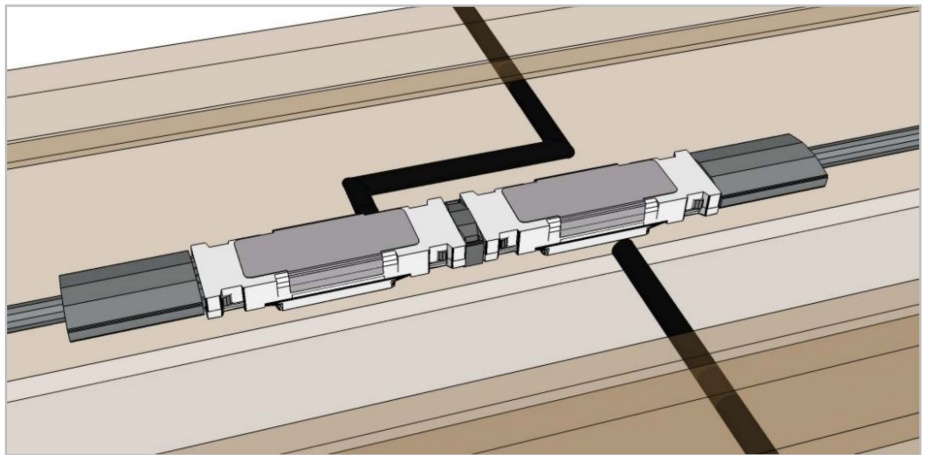
### Notes:

- H Block not required for end infeed connection
- Requires pockets on underside of table for satellite cord

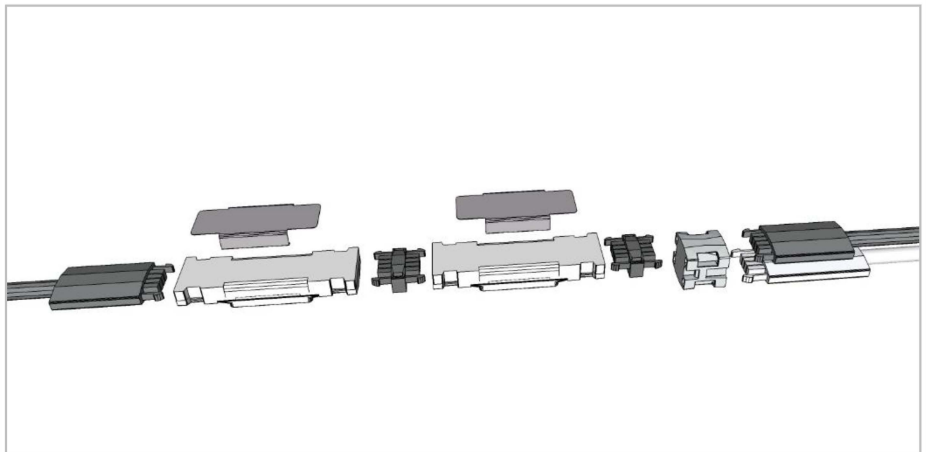
2) Assembly:



Center Infeed Connection



Double Duplex



Exploded View

# ENWORK

12900 Christopher Drive Lowell, MI 49331  
800.815.7251 [www.enwork.com](http://www.enwork.com)

Specifications subject to change without notice.